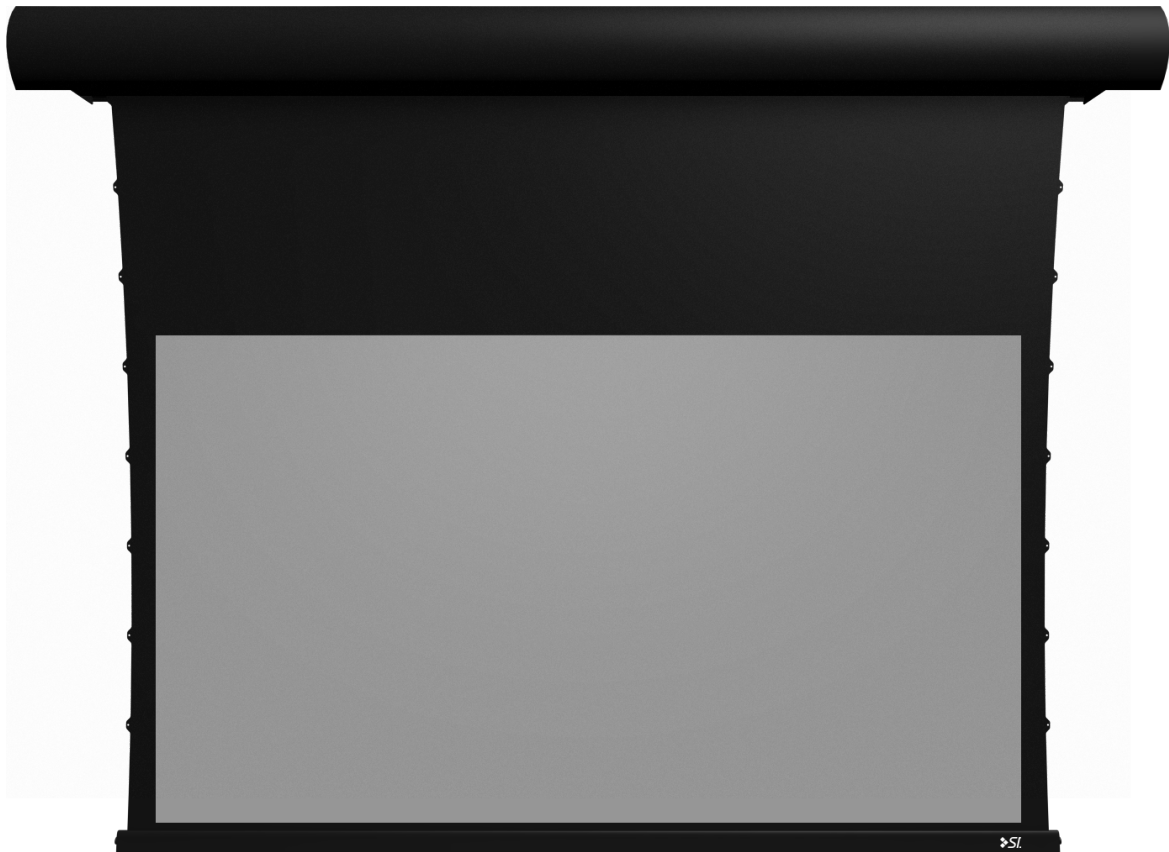


# 5 Motorized

## Owner's Manual



**512-832-6939**

9715-B Burnet Road Suite 400, Austin, TX 78758  
screeninnovations.com



**INSTALLERS: PLEASE LEAVE THIS  
MANUAL WITH THE OWNER.**



APPLY S/N  
STICKER HERE



## LIMITED ONE YEAR WARRANTY ON SCREEN INNOVATIONS PRODUCTS

Screen Innovations warrants its products, to the original purchaser only, to be free from defects in materials and workmanship for a period of one (1) year from the date of purchase by the original purchaser provided they are properly operated according to Screen Innovations' instructions and are not damaged due to improper handling or treatment after shipment from the factory.

This warranty does not apply to equipment showing evidence of misuse, abuse, or accidental damage, or which has been tampered with or repaired by a person other than authorized Screen Innovations personnel.

Screen Innovations' sole obligation under this warranty shall be to repair or to replace (at Screen Innovations' option) the defective part of the merchandise. Returns for service should be made to your Screen Innovations' dealer. If it is necessary for the dealer to return the screen or part to Screen Innovations, transportation expenses to and from Screen Innovations are payable by the purchaser and Screen Innovations is not responsible for damage in shipment. To protect yourself against damage or loss in transit, insure the product and prepay all transportation expenses.

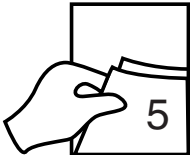
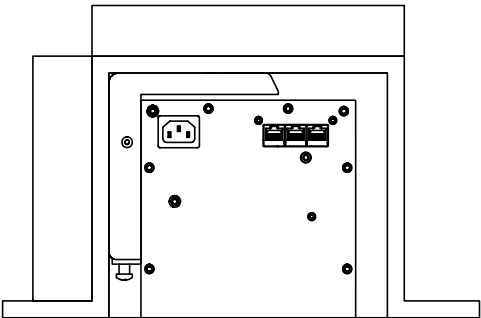
THIS WARRANTY IS IN LIEU OF ALL OTHER WARRANTIES, EXPRESS OR IMPLIED, INCLUDING WARRANTIES AS TO FITNESS FOR USE AND MERCHANT ABILITY. Any implied warranties of fitness for use, or merchantability, that may be mandated by statute or rule of law are limited to the one (1) year warranty period. This warranty gives you specific legal rights, and you may also have other rights, which vary from state-to-state. NO LIABILITY IS ASSUMED FOR EXPENSES OR DAMAGES RESULTING FROM INTERRUPTION IN OPERATION OF EQUIPMENT, OR FOR INCIDENTAL, DIRECT, OR CONSEQUENTIAL DAMAGES OF ANY NATURE.

In the event that there is a defect in materials or workmanship of a Screen Innovations product, you may contact our Sales Partners at 9715-B Burnet Road Suite 400, Austin, TX 78758, (512) 832-6939.

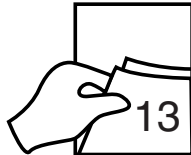
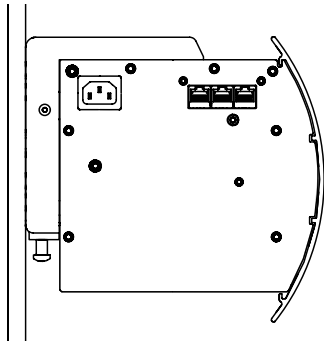
IMPORTANT: THIS WARRANTY SHALL NOT BE VALID AND SCREEN INNOVATIONS SHALL NOT BE BOUND BY THIS WARRANTY IF THE PRODUCT IS NOT OPERATED IN ACCORDANCE WITH SCREEN INNOVATIONS' WRITTEN INSTRUCTIONS.

Keep your sales receipt to prove the date of purchase and your original ownership.

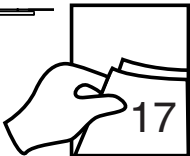
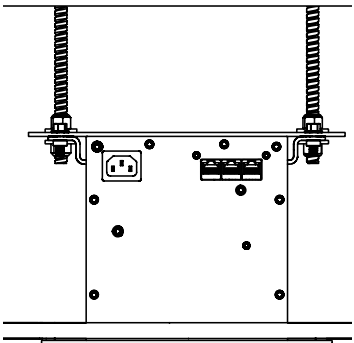
**Flush L Bracket**



**External**



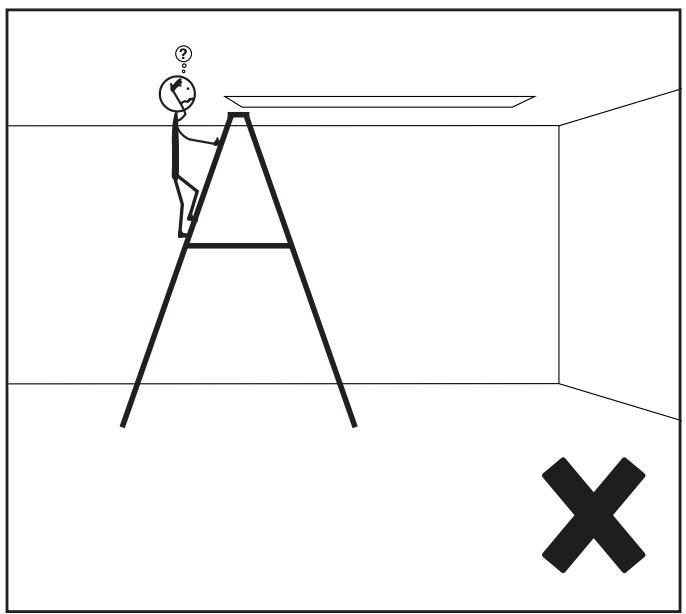
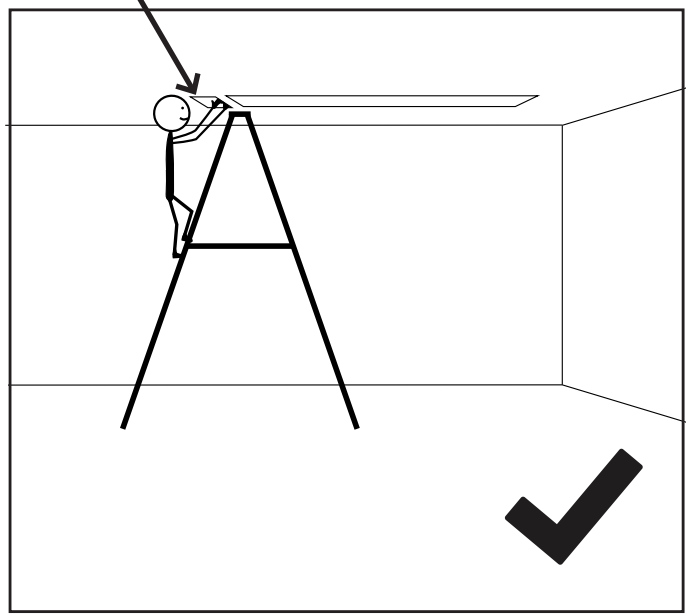
**Flush Suspended**




2+

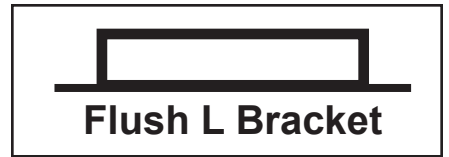


6" x 12"  
(15.24 cm X 30.48)

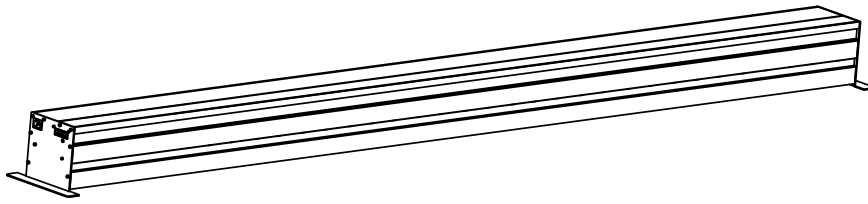


 It is highly recommended to provide a 6" x 12" access panel at the left end of the case and/or make sure the left end of the case can be accessed from inside the ceiling or attic.

# Frame Installation



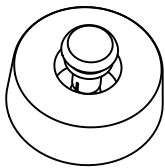
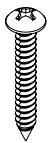
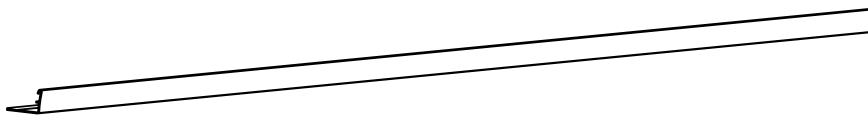
1X



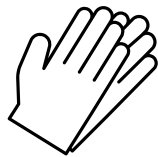
1X



1X



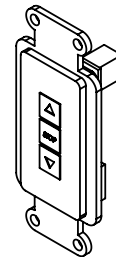
4X



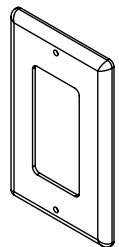
1X



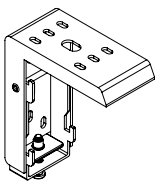
1X



1X



1X



1X



1X



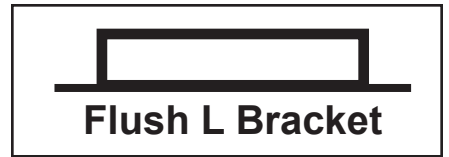
2X



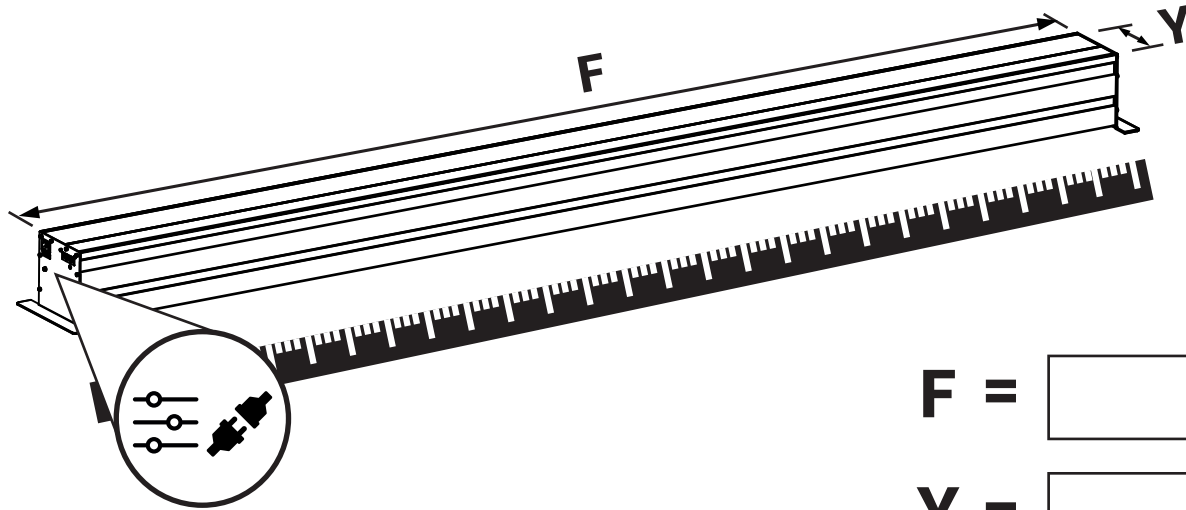
1X

Screws are supplied for a wood framed wall/ceiling installation. Different fasteners may be needed for other structures, such as metal studs or masonry, provided by the installer.

# Case Opening



1



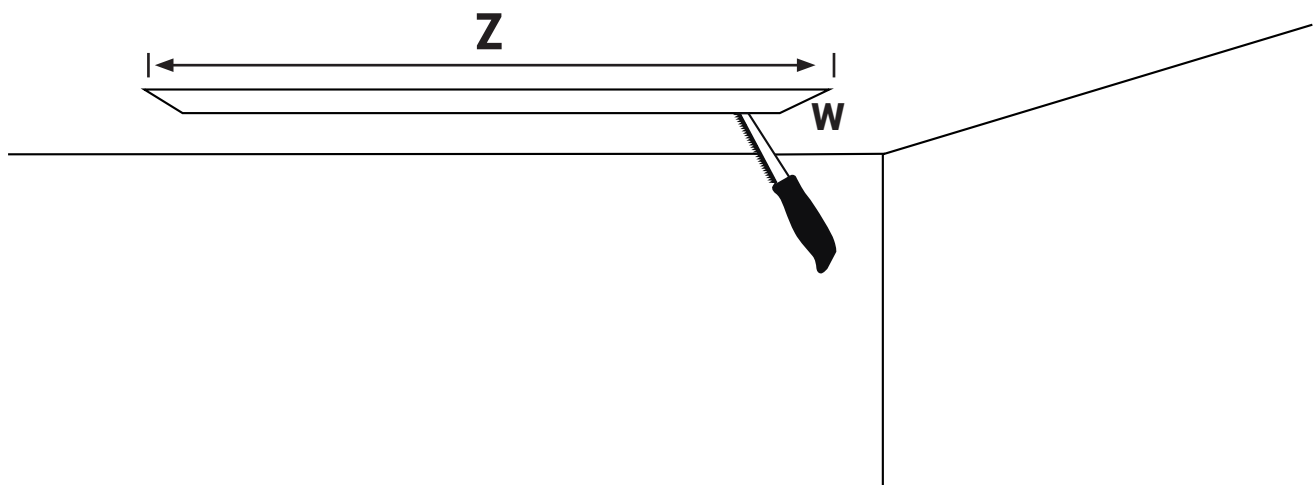
F =  in/cm

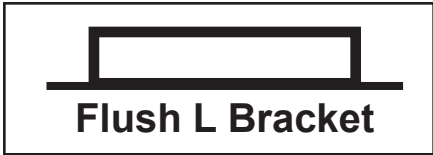
Y =  in/cm

2

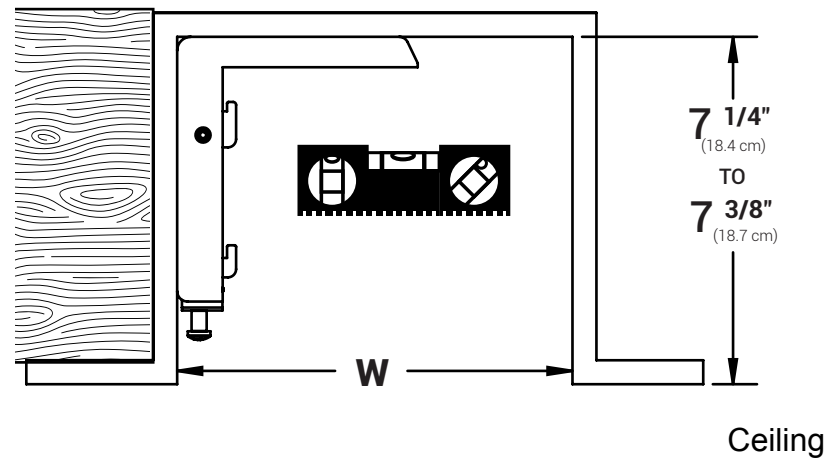
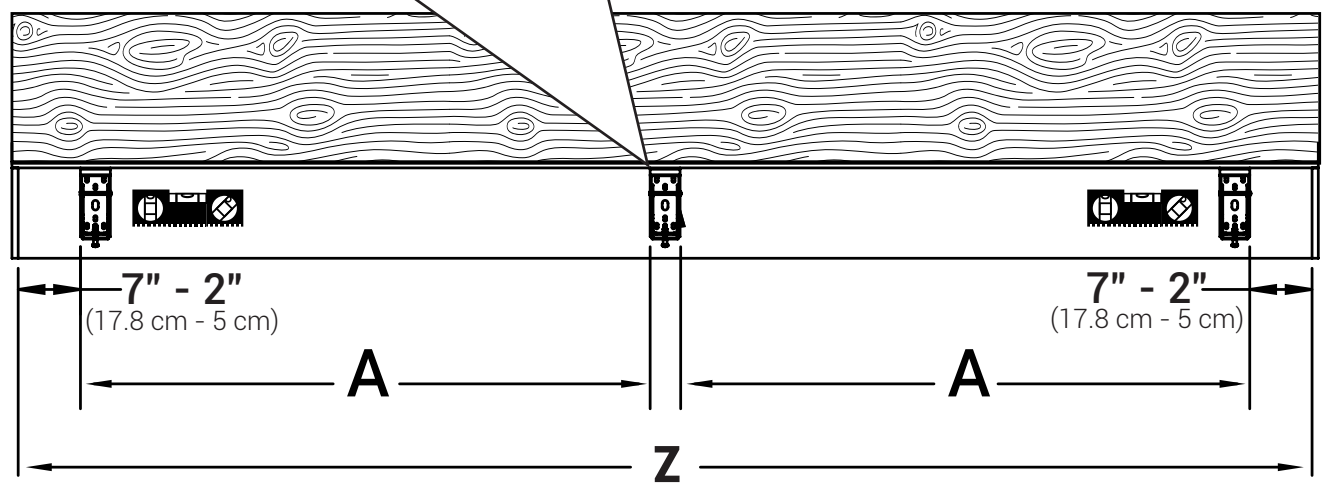
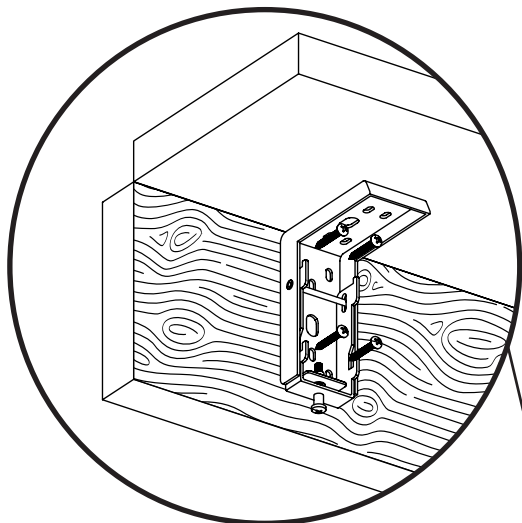
$$\begin{array}{c} F \\ \square \end{array} + \begin{array}{c} 1 \frac{3}{4}'' \\ (4.5 \text{ cm}) \end{array} = \begin{array}{c} Z \\ \square \end{array} \pm \begin{array}{c} 1/4'' \\ (0.635 \text{ cm}) \end{array}$$

$$\begin{array}{c} Y \\ \square \end{array} + \begin{array}{c} 1 \frac{3}{4}'' \\ (4.5 \text{ cm}) \end{array} = \begin{array}{c} W \\ \square \end{array} \pm \begin{array}{c} 1/8'' \\ (0.635 \text{ cm}) \end{array}$$

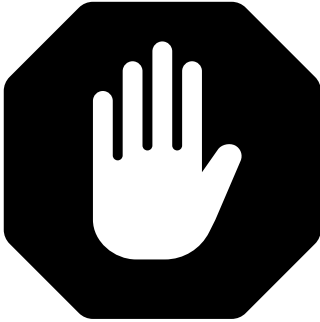




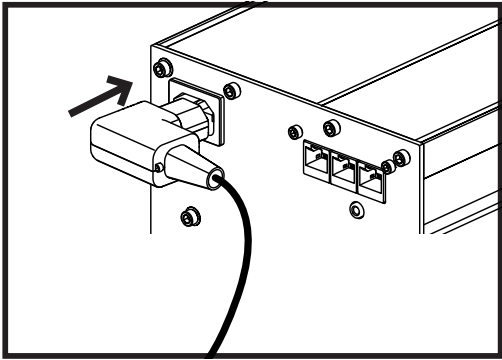
3



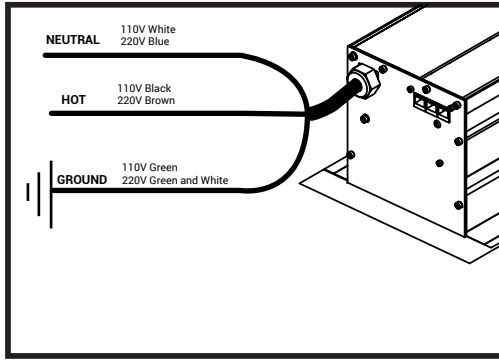
4



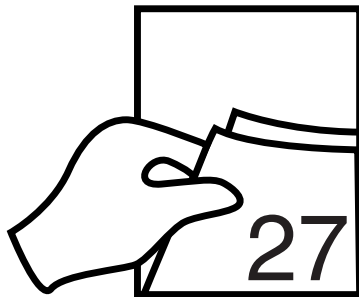
A



B



If there is not an access panel at the left end of the case in the ceiling, or access from above via the ceiling or attic; then you must make sure to make all power and control connections before proceeding.

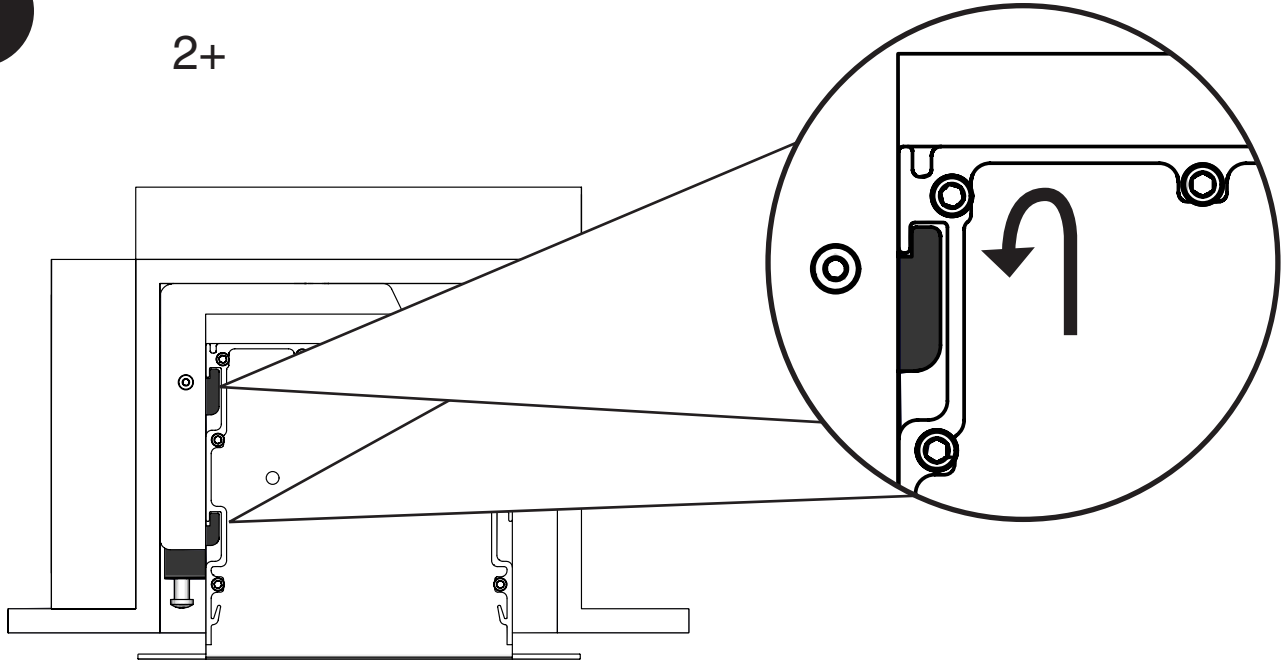
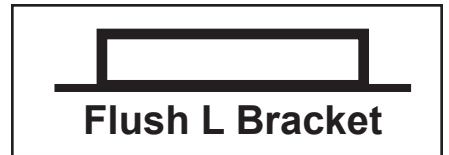




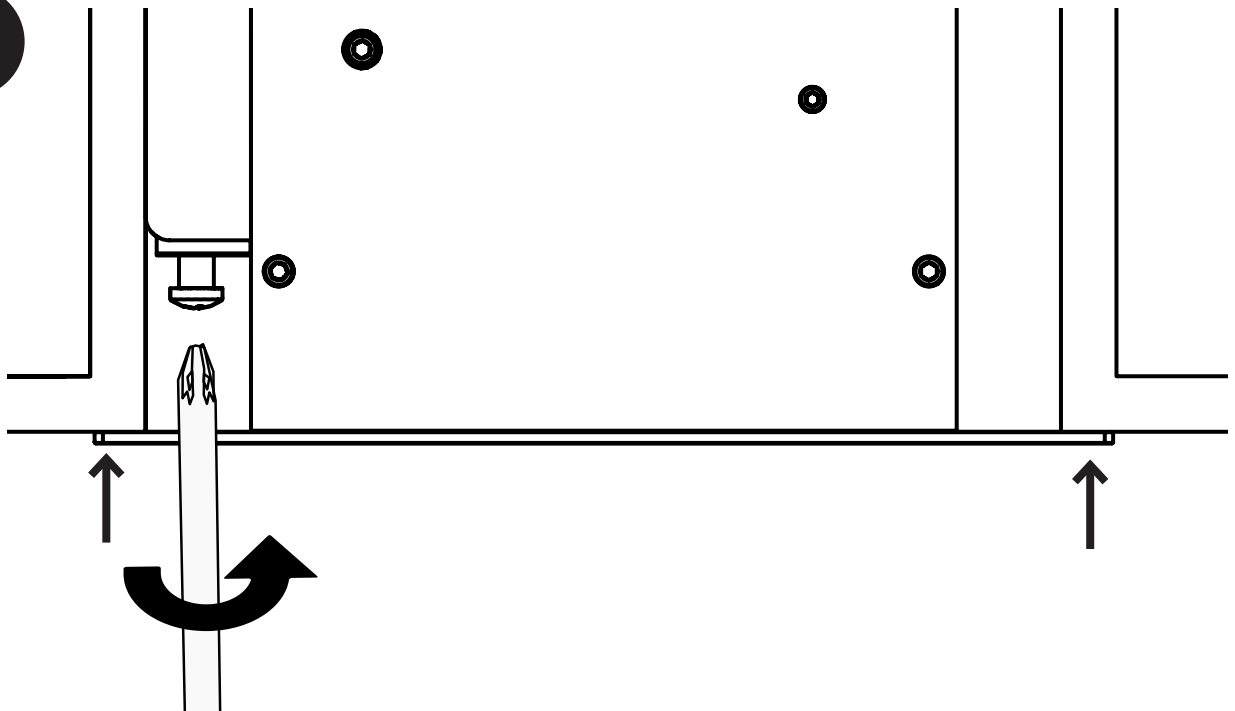
5



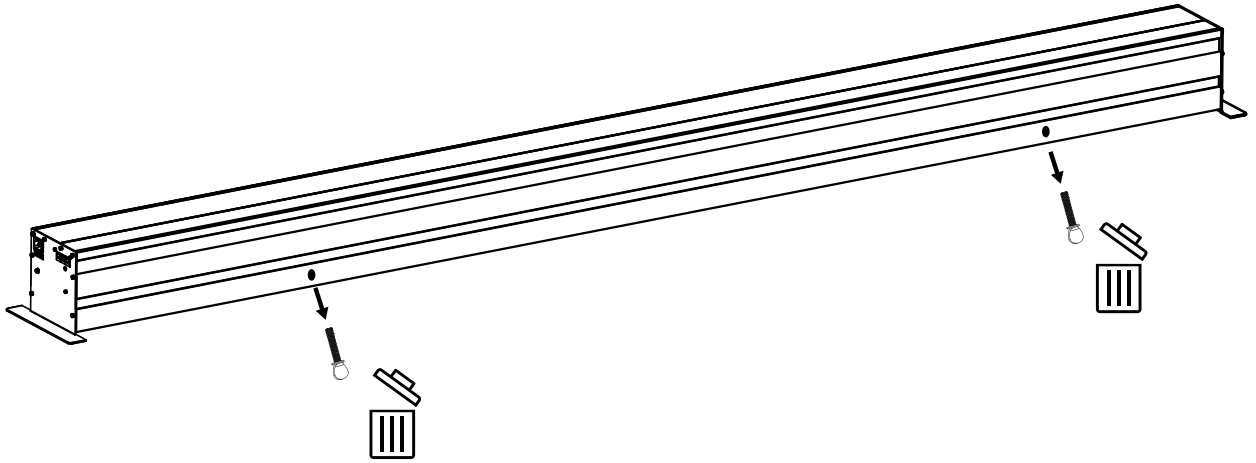
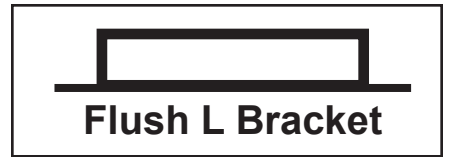
2+



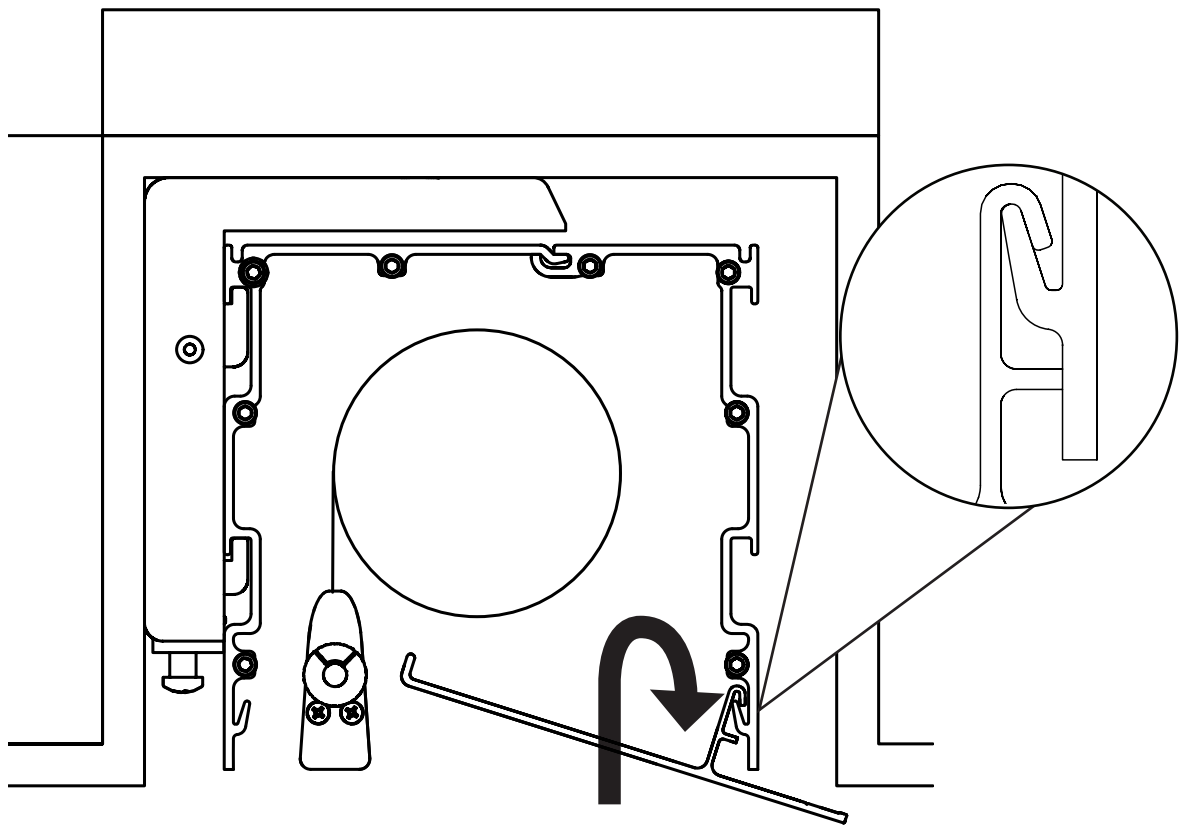
6



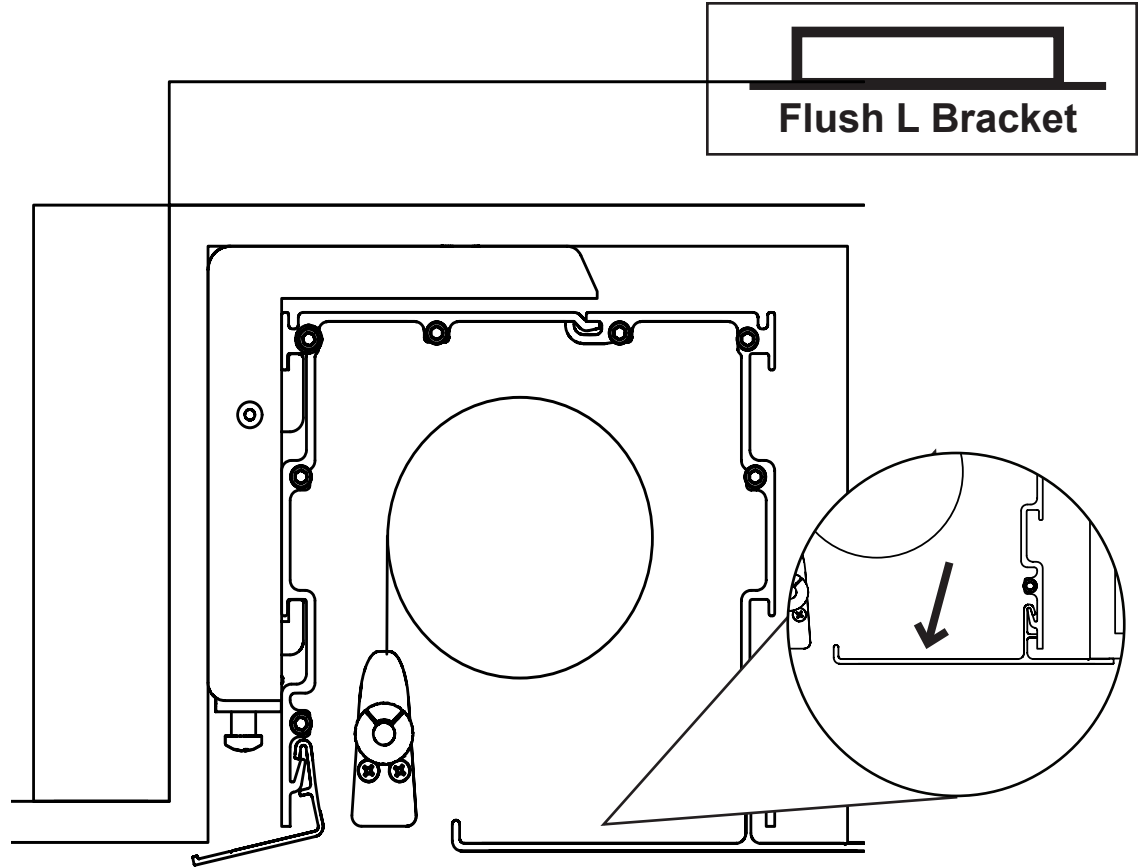
7



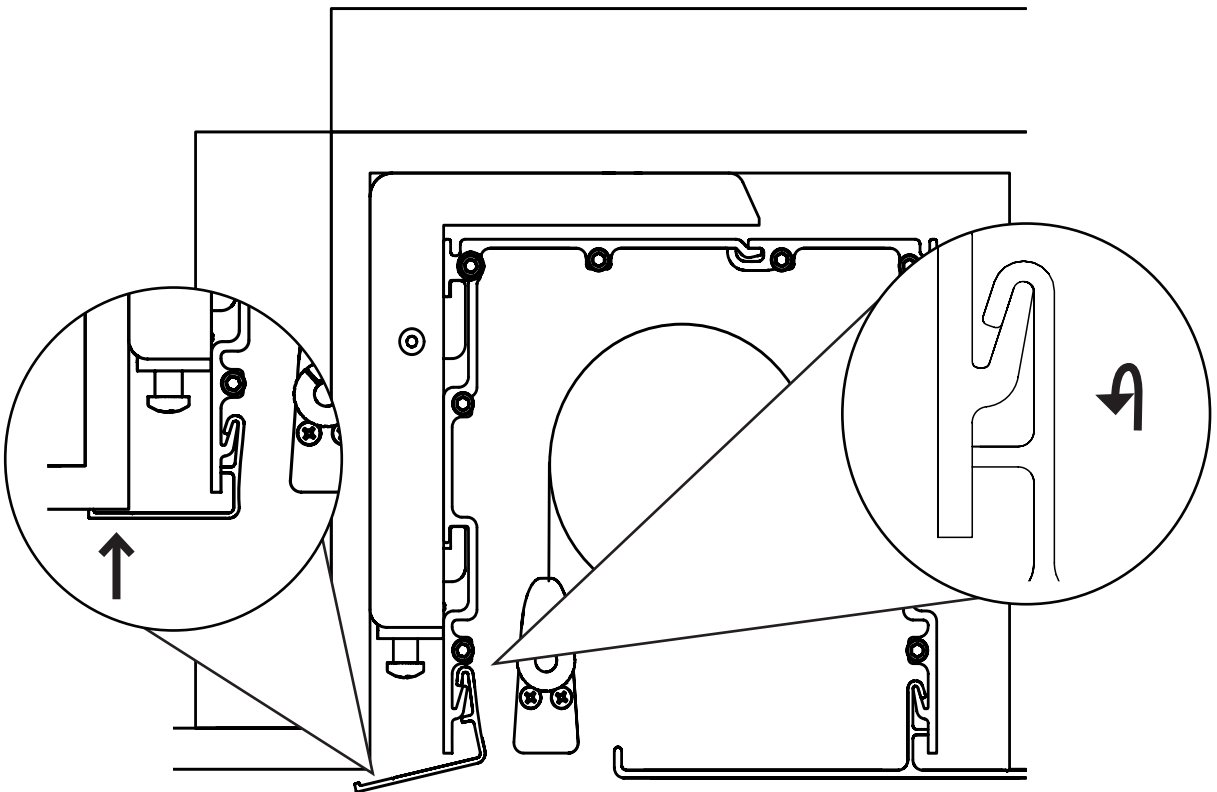
8

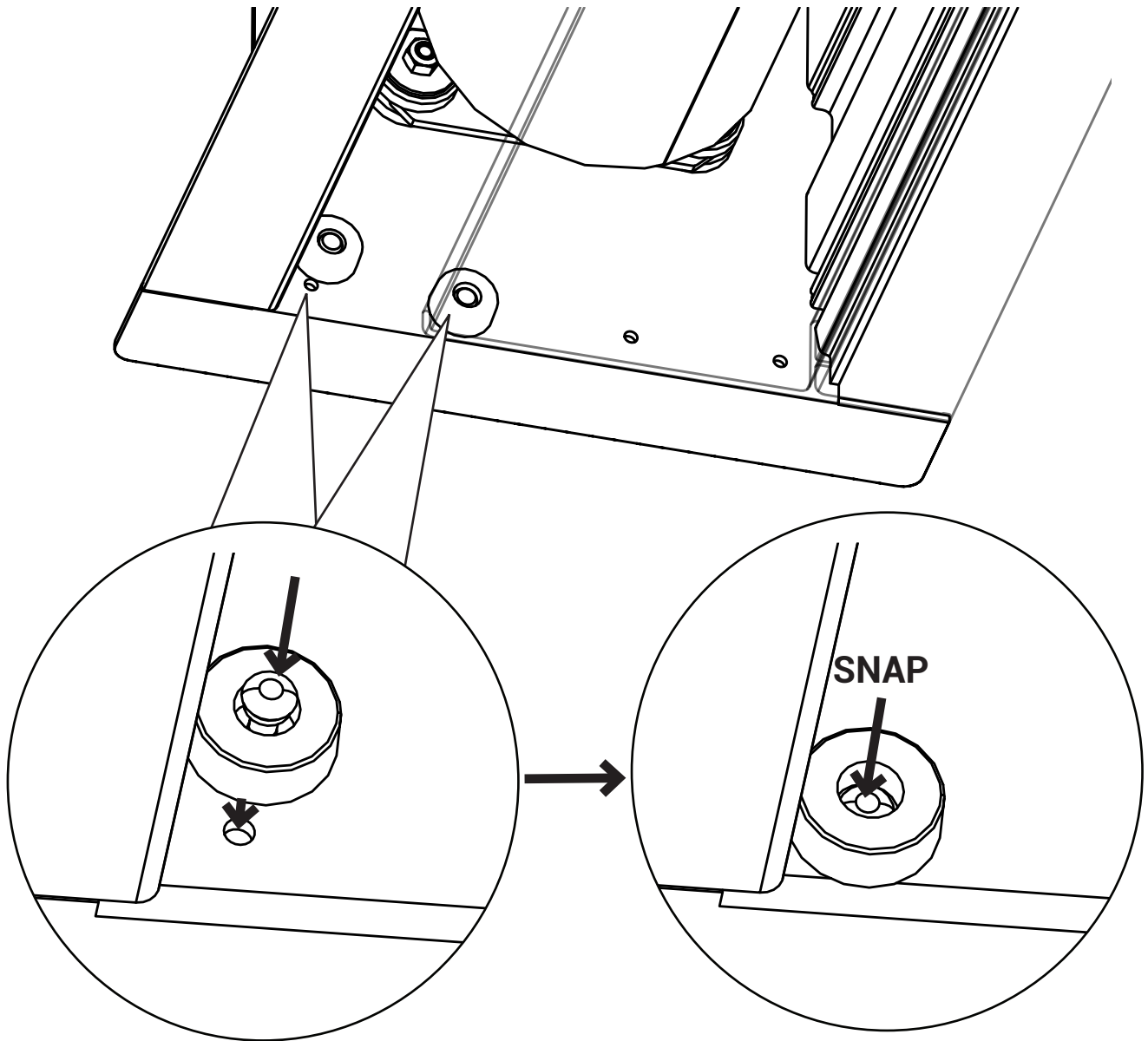


9

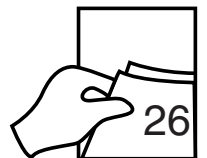


10

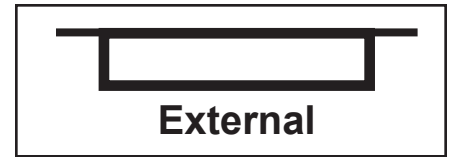




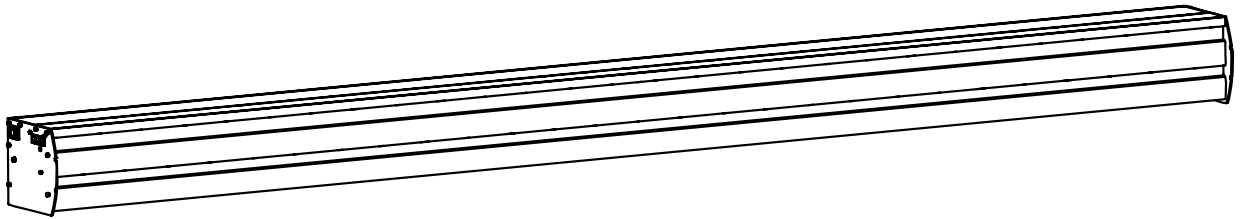
Insert the bumpers into the holes in the endplates. Press the pin in the bumper until you feel a **SNAP** indicating the bumper is secured. Before proceeding make sure the bumpers are secured to the endplates. Do this at both ends of the screen.



# PARTS LIST



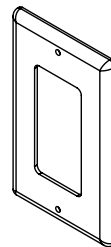
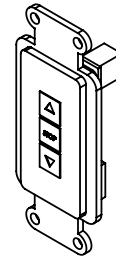
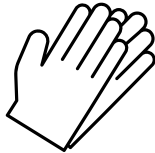
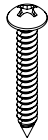
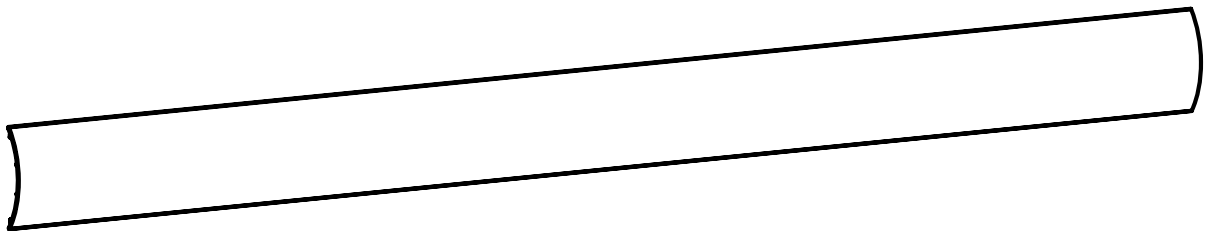
1X



1X



1X

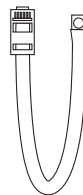
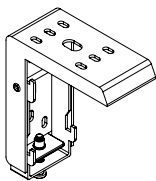


1X

1X

1X

1X



1X

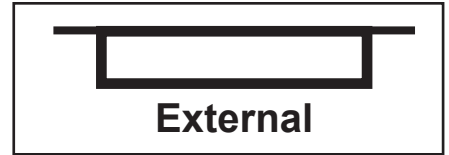
1X

2X

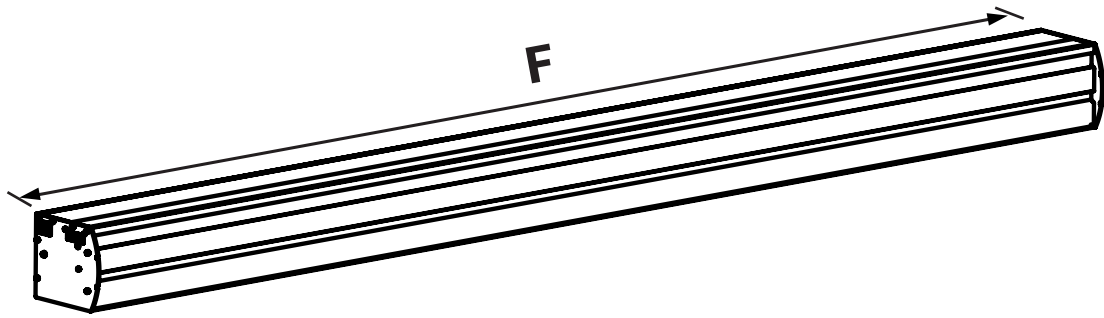
1X

Screws are supplied for a wood framed wall/ceiling installation. Different fasteners may be needed for other structures, such as metal studs or masonry, provided by the installer.

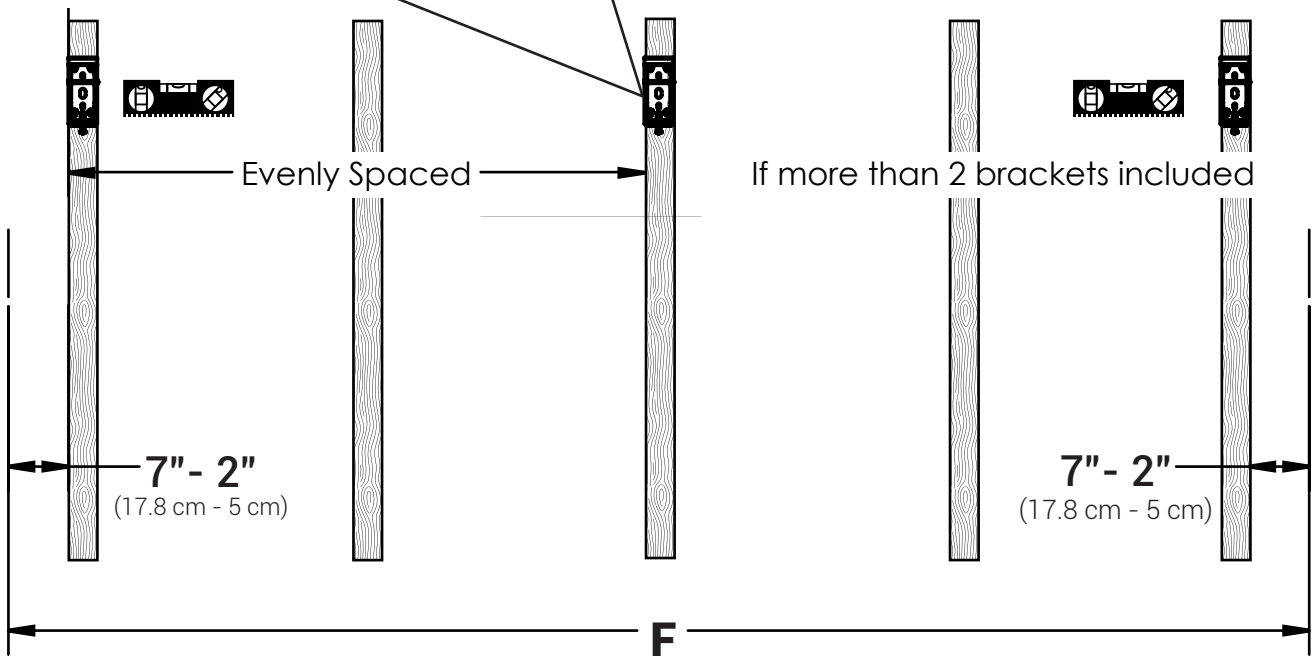
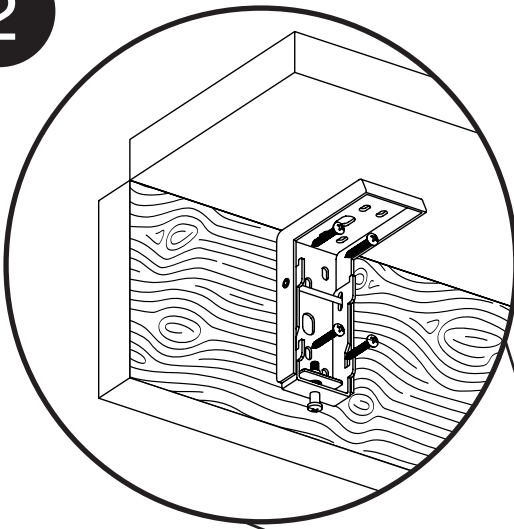
# L-BRACKET INSTALLATION



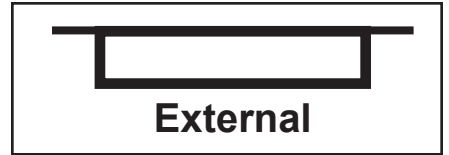
1



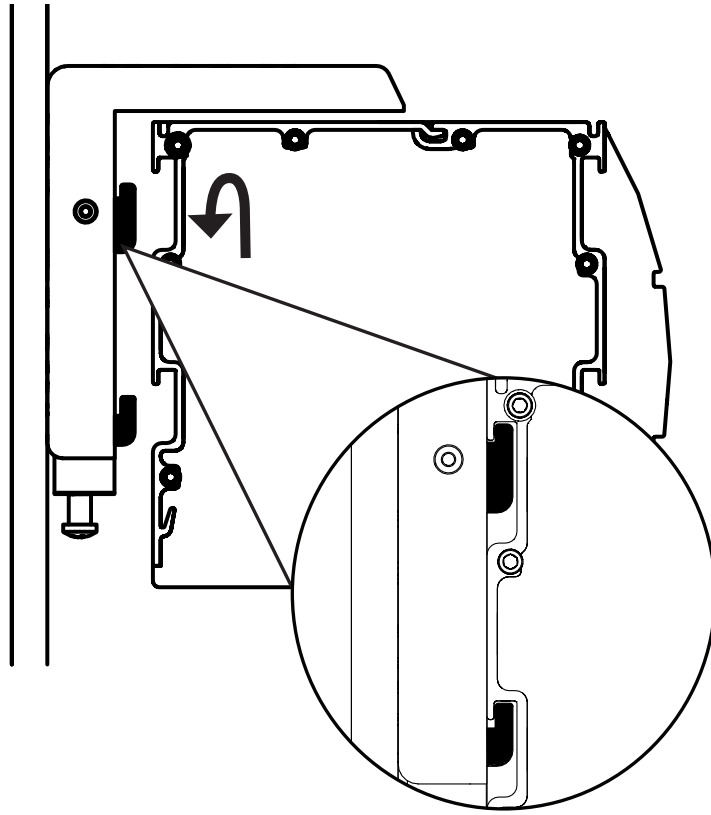
2



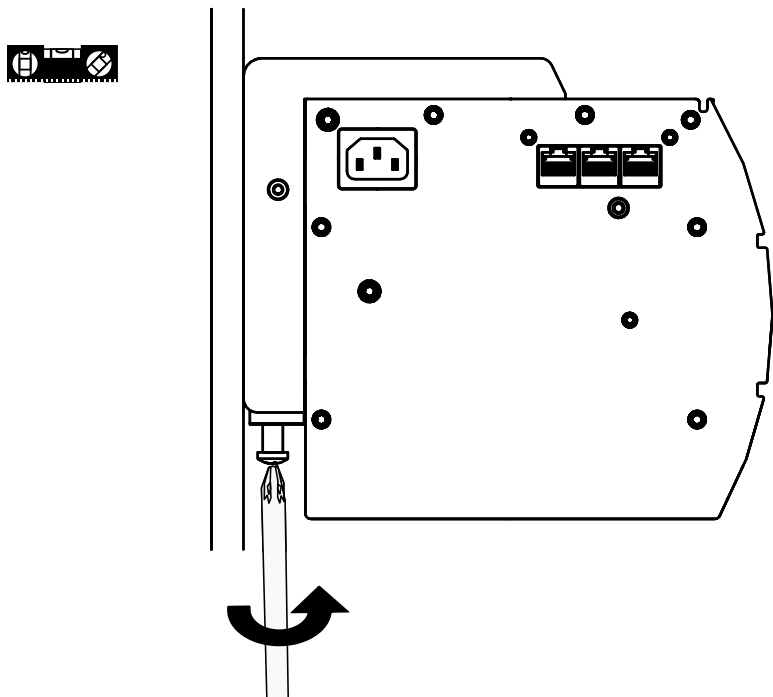
# CASE INSTALLATION



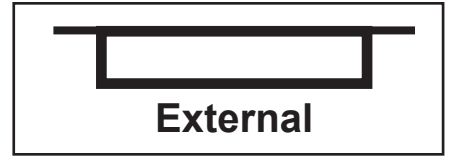
3



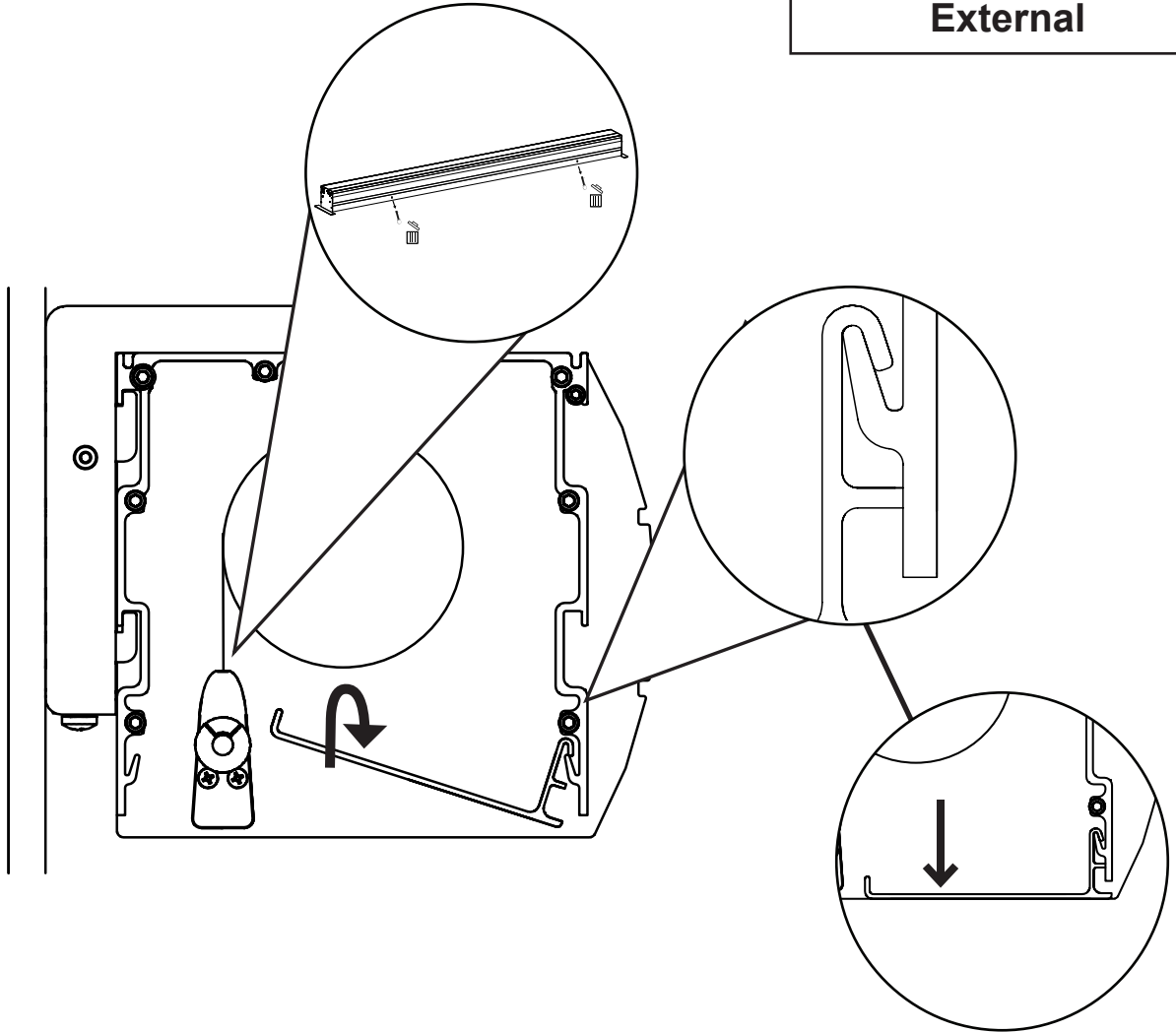
4



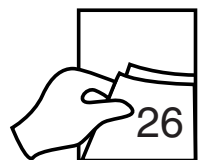
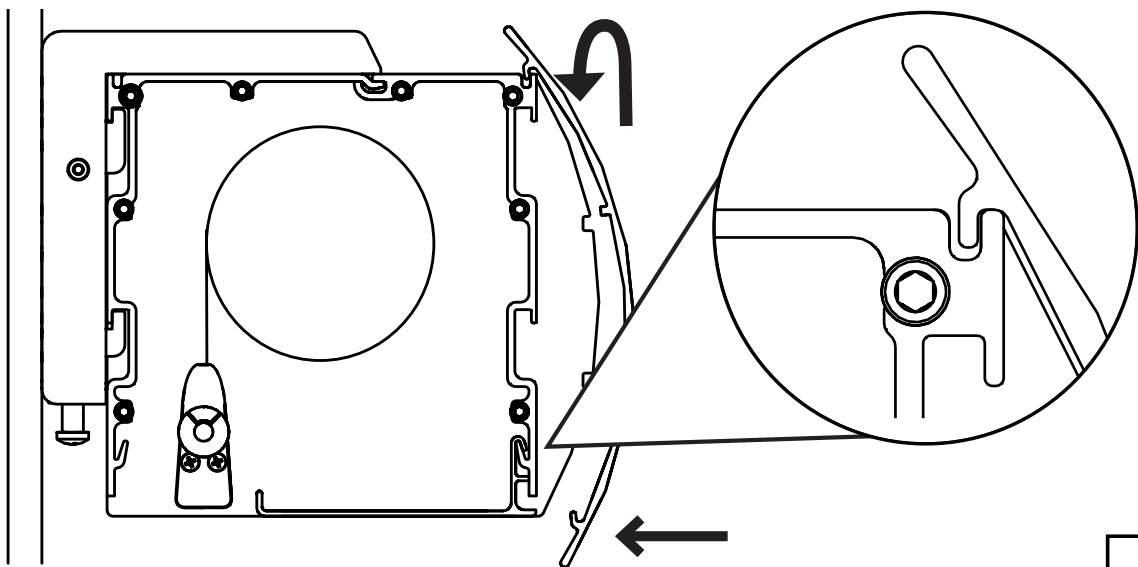
# TRIM INSTALLATION



5



6

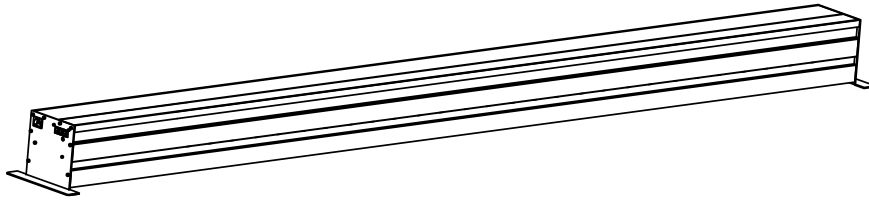




# Frame Installation



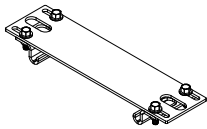
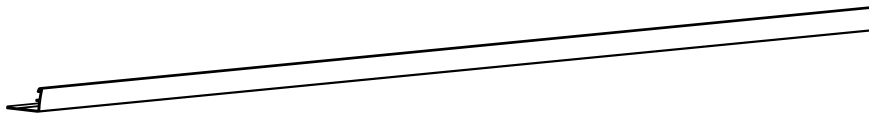
1X



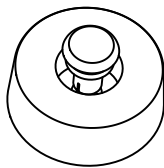
1X



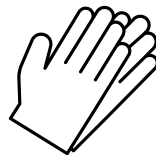
1X



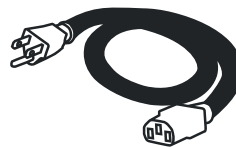
2X



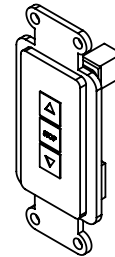
4X



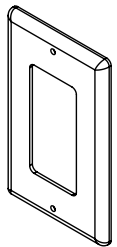
1X



1X



1X



1X



1X



1X



2X

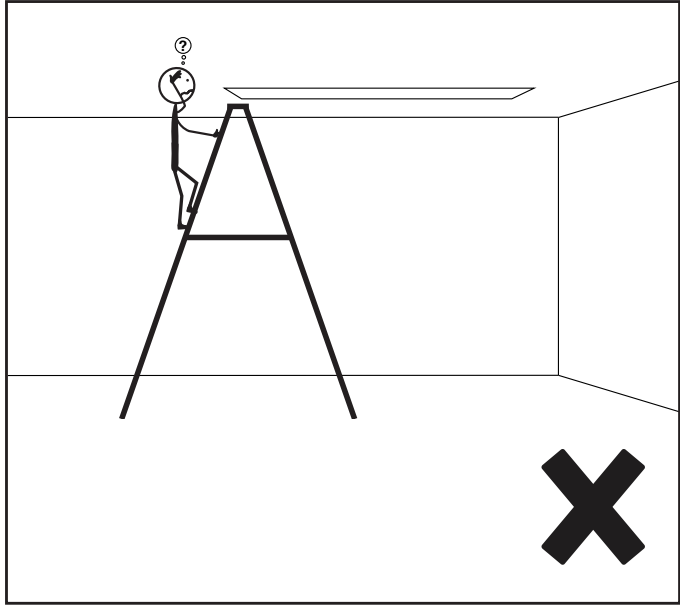
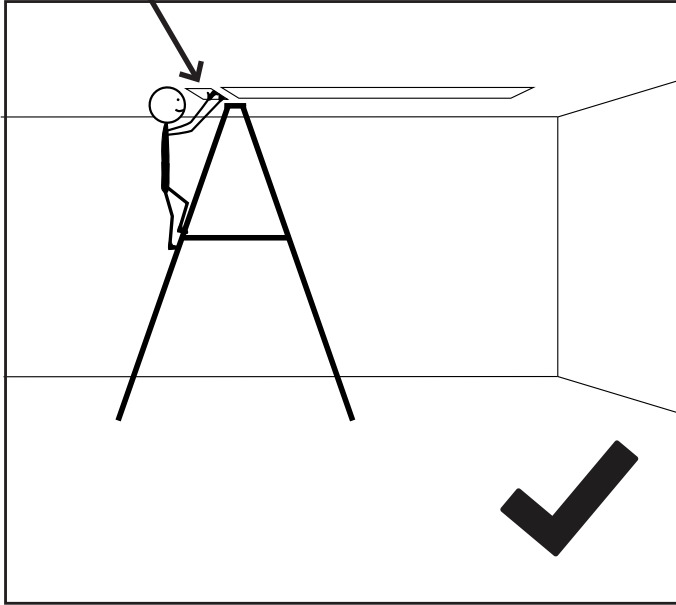


1X

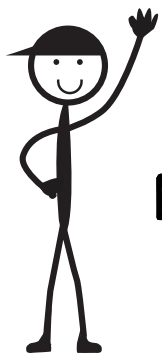
Screws are supplied for a wood framed wall/ceiling installation. Different fasteners may be needed for other structures, such as metal studs or masonry, provided by the installer.



6" x 12"  
(15.24 cm X 30.48)



It is highly recommended to provide a 6" x 12" access panel at the left end of the case and/or make sure the left end of the case can be accessed from inside the ceiling or attic.



Parts to be supplied by installer



Threaded Rod 3/8" Minimum



Nut



Washer



Washer

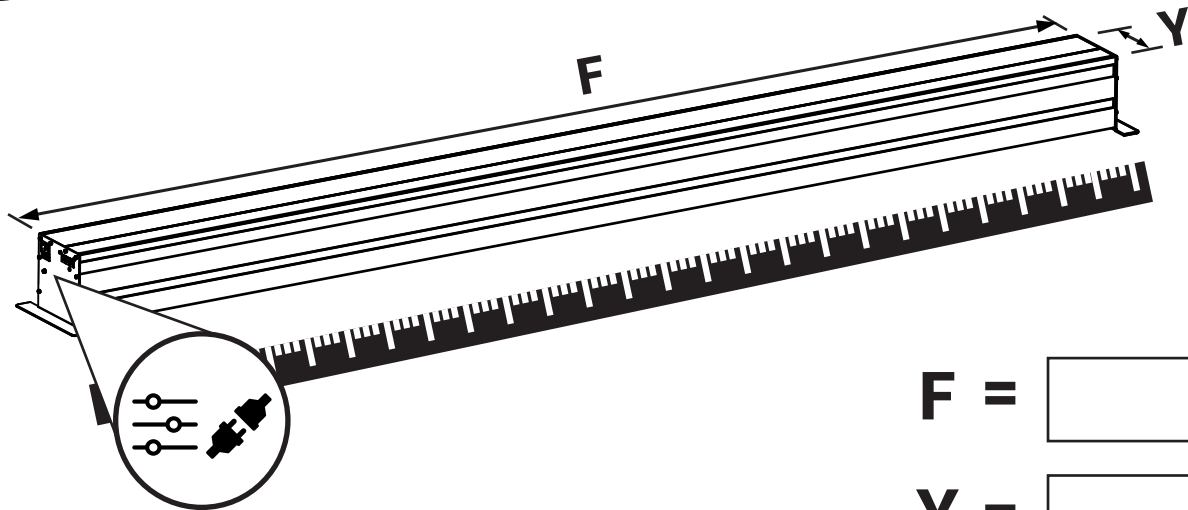


Nut

# Case Opening



1



F =  in/cm

Y =  in/cm

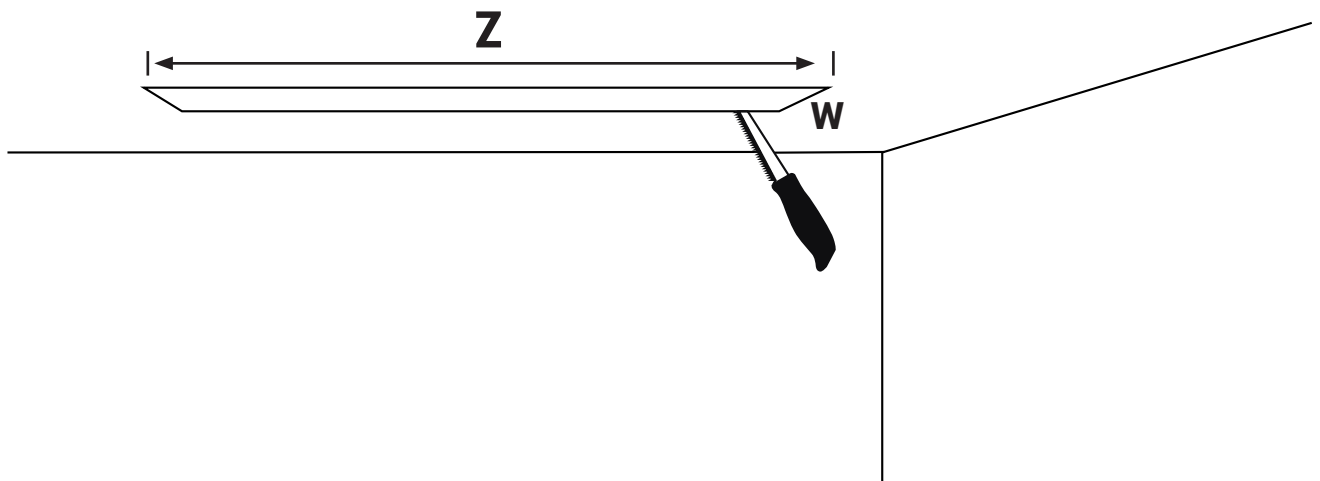
2

$$F + 1\frac{3}{4}'' = Z + \begin{matrix} + \\ - \end{matrix} \frac{1}{4}''$$

(4.4 cm) (0.635 cm)

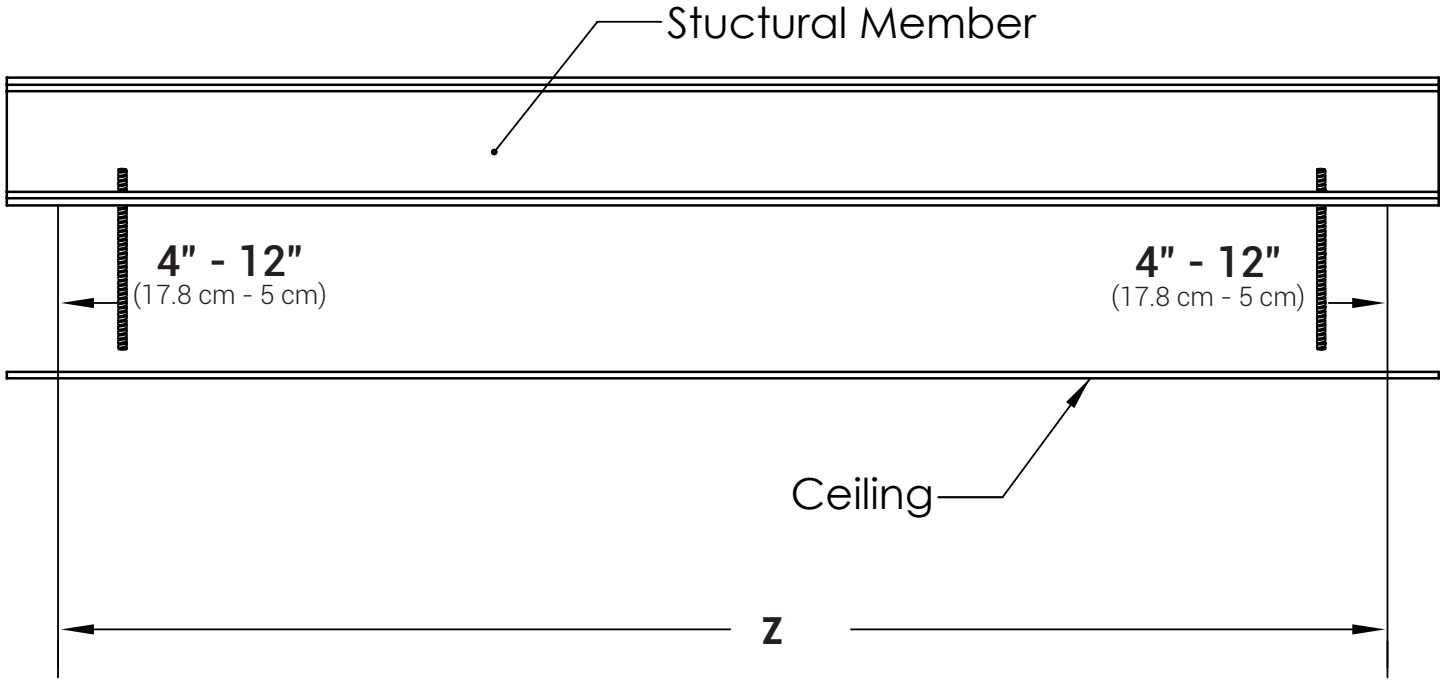
$$Y + 1\frac{3}{4}'' = W + \begin{matrix} + \\ - \end{matrix} \frac{1}{8}''$$

(4.5 cm) (0.31 cm)

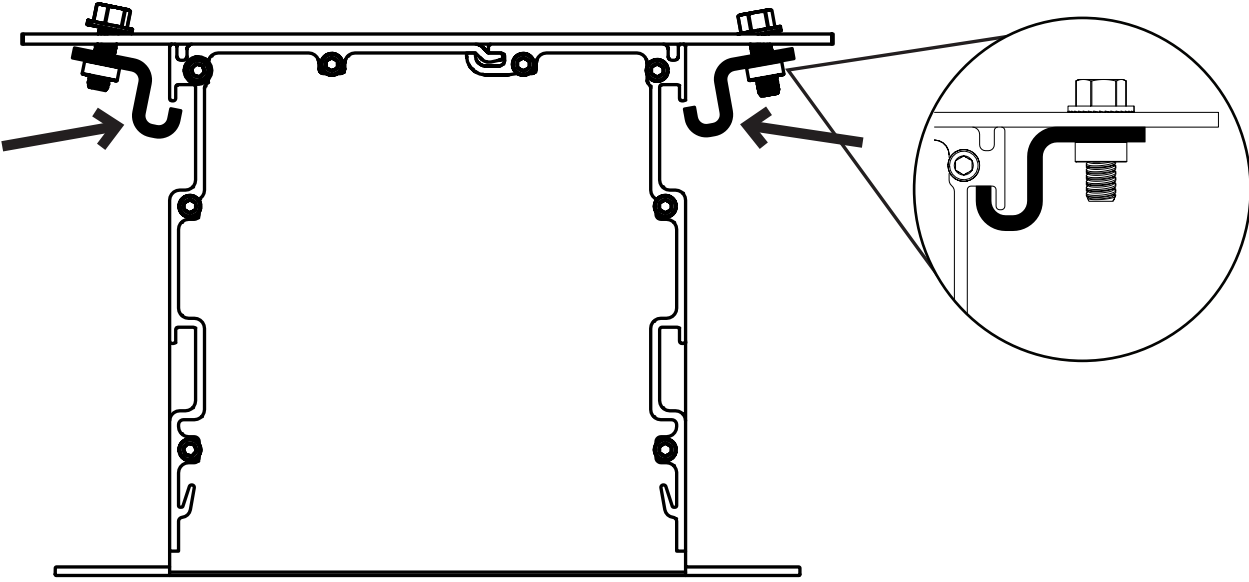




3

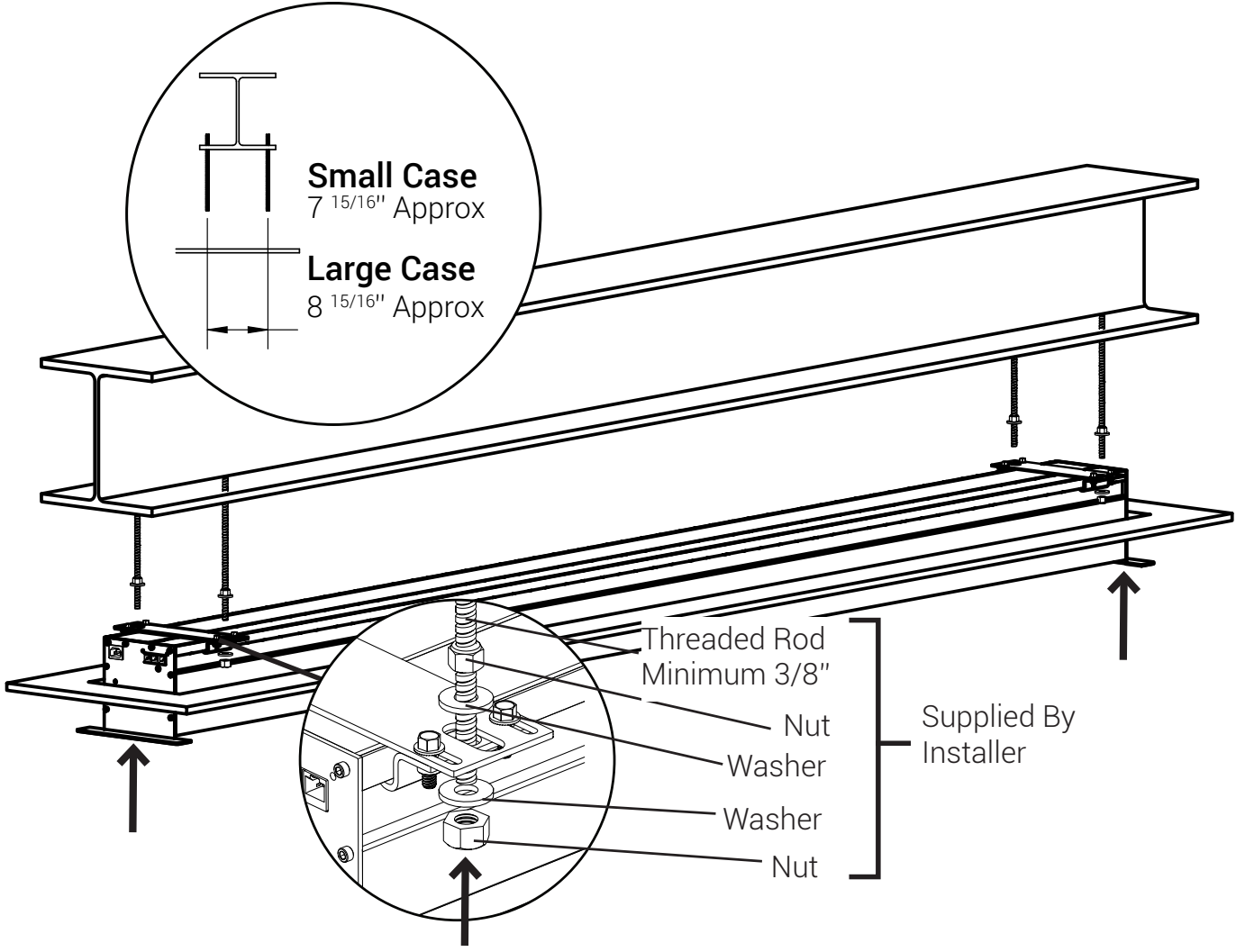


4

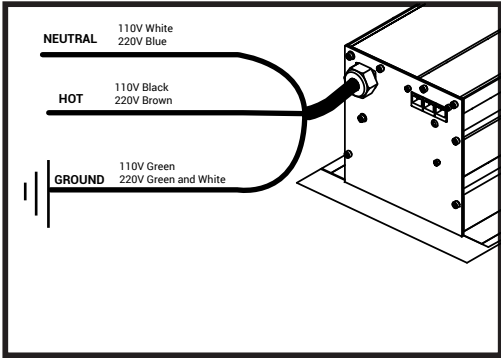
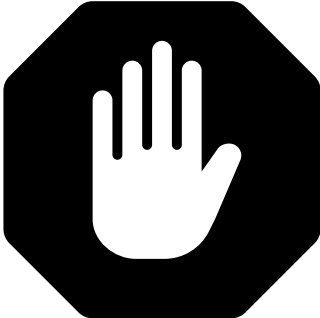





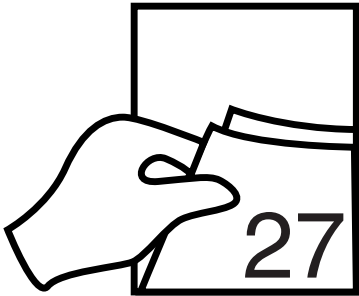
5



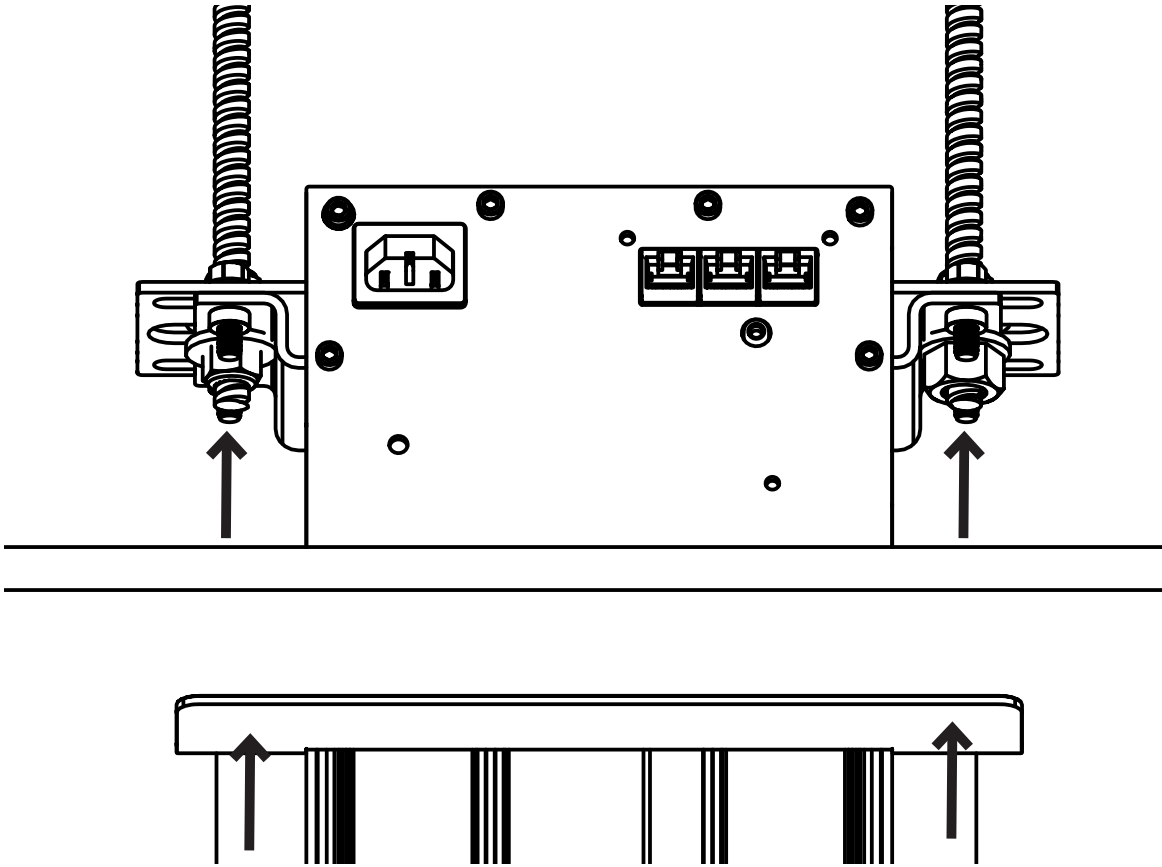
6



 If there is not an access panel at the left end of the case in the ceiling, or access from above via the ceiling or attic; then you must make sure to make all power and control connections before proceeding.

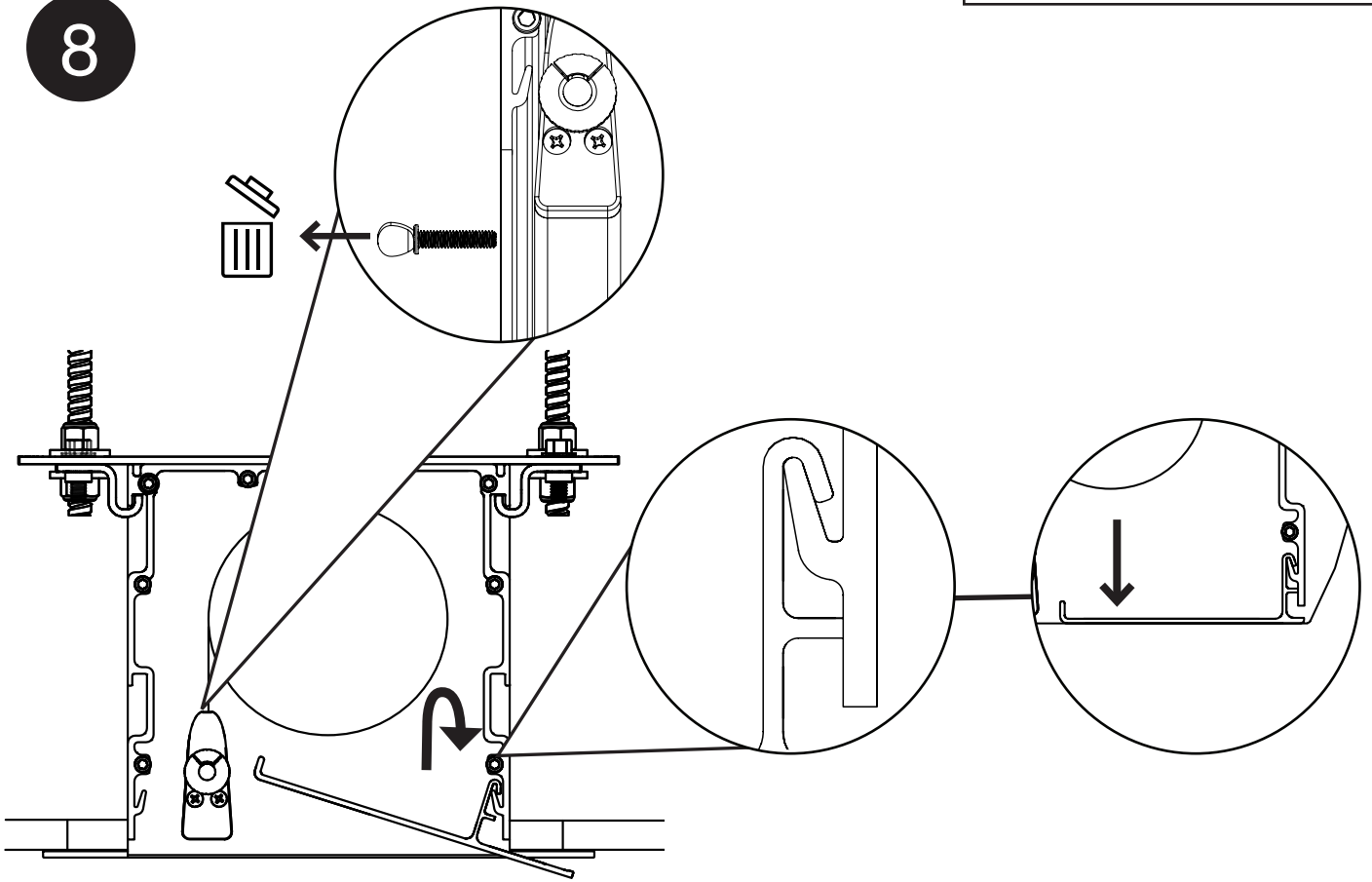


7

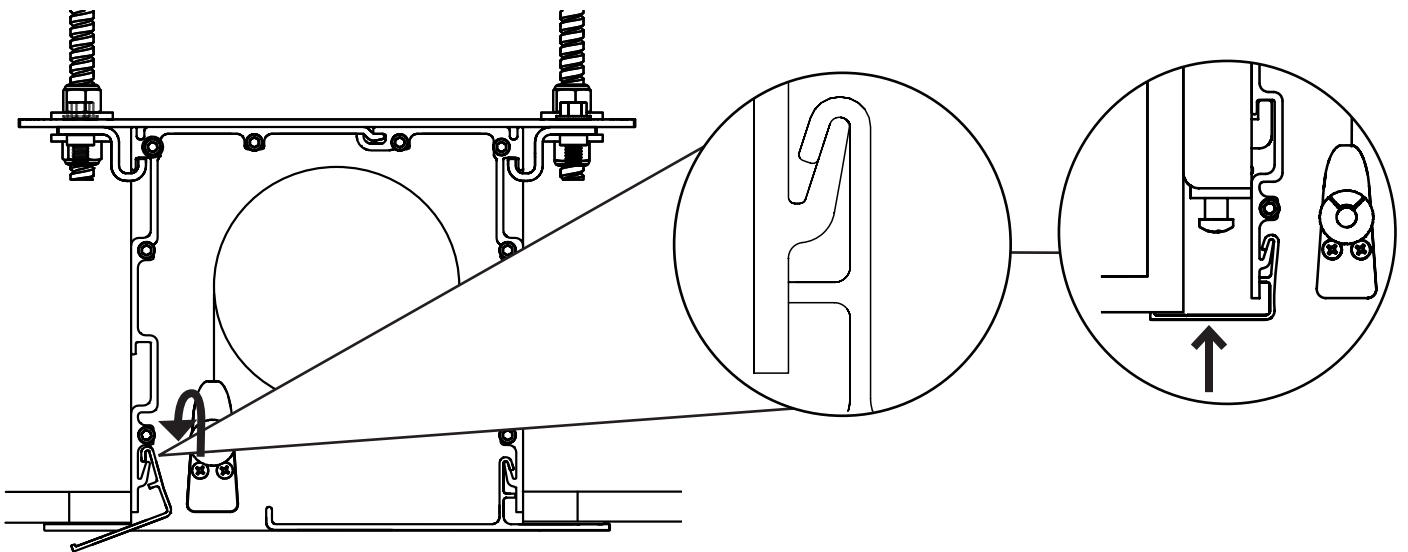


  
Flush Suspended

8

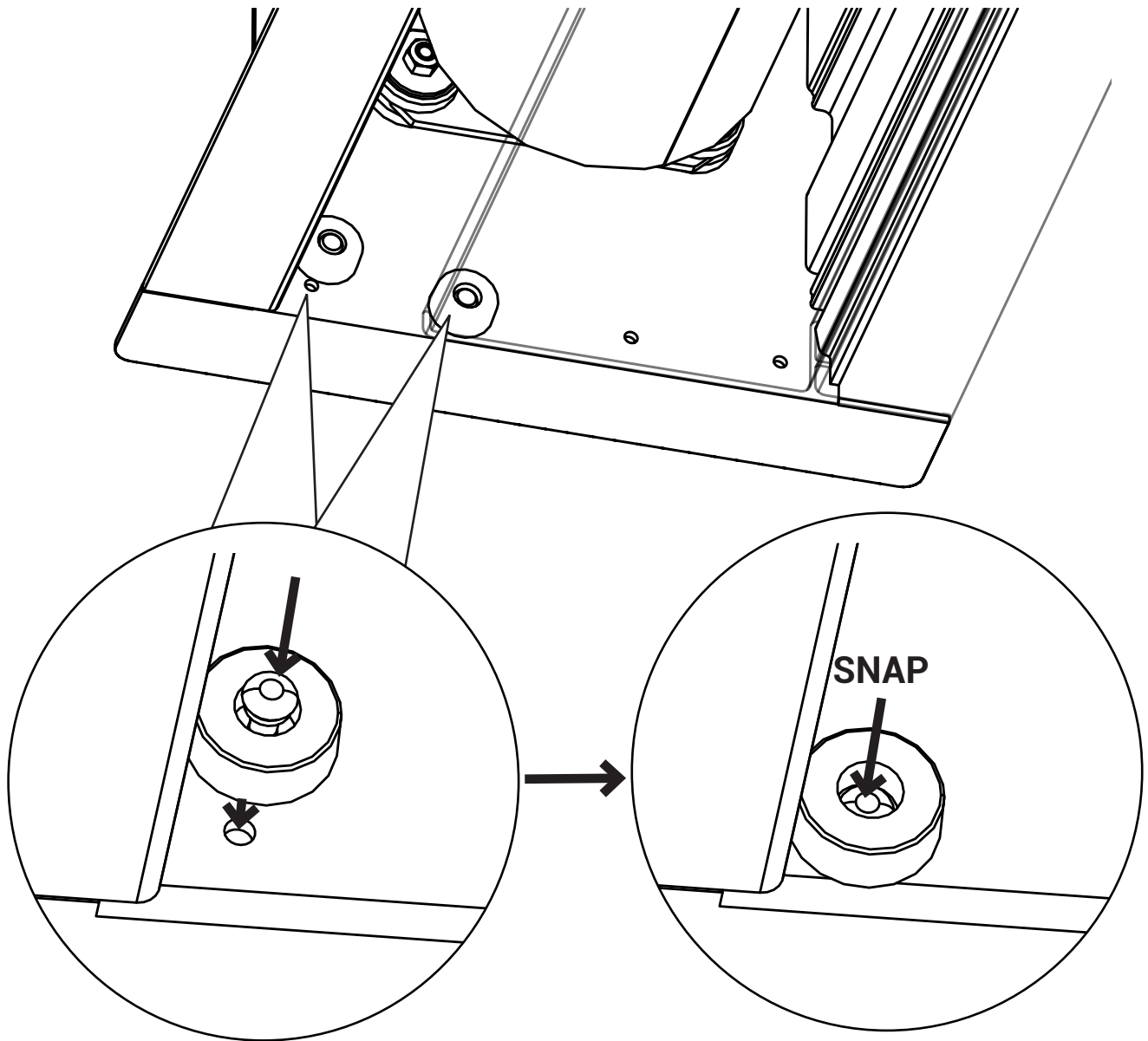


9



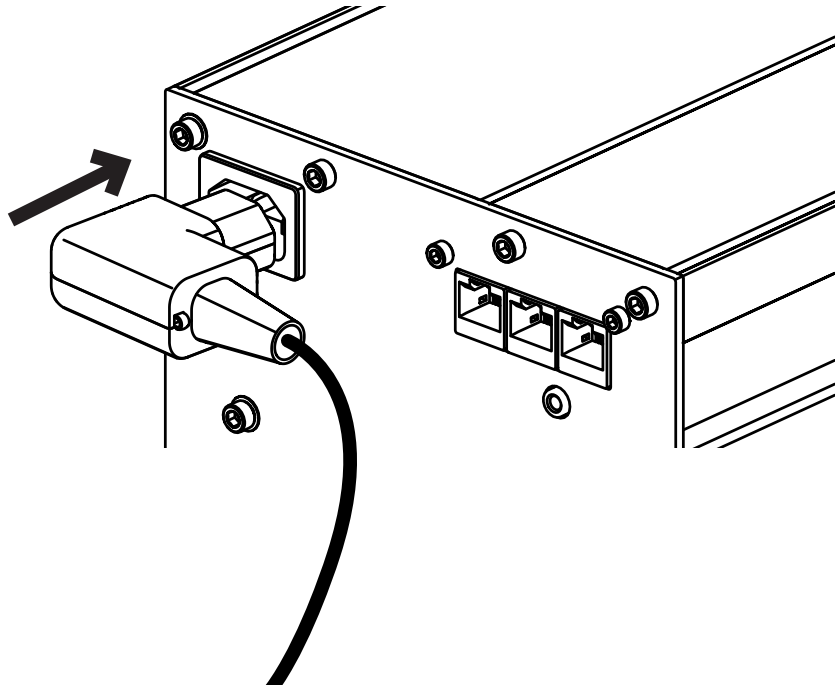


10

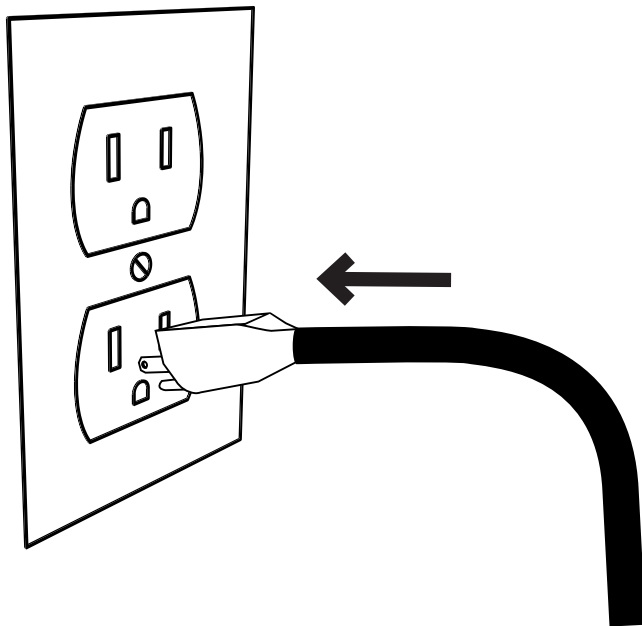


Insert the bumpers into the holes in the endplates. Press the pin in the bumper until you feel a **SNAP** indicating the bumper is secured. Before proceeding make sure the bumpers are secured to the endplates. Do this at both ends of the screen.

1

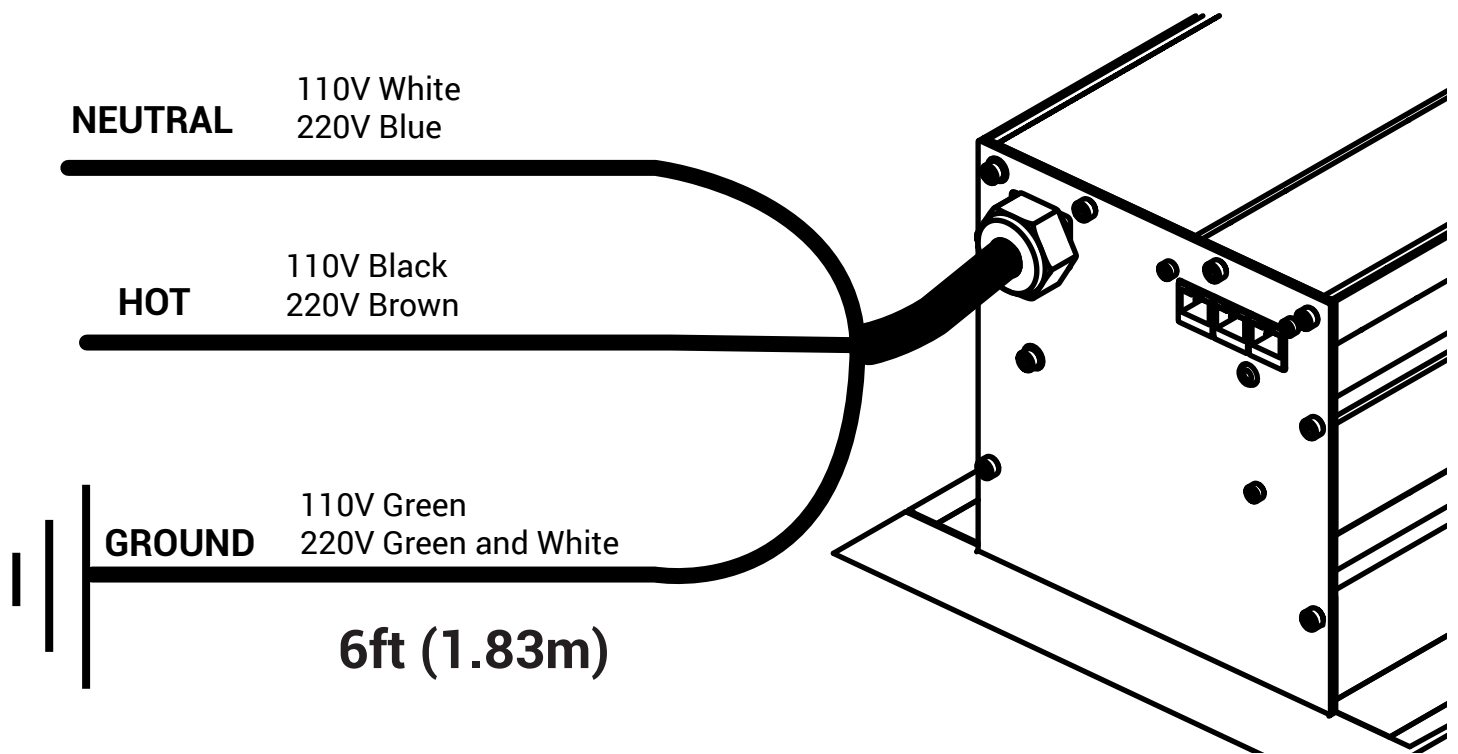
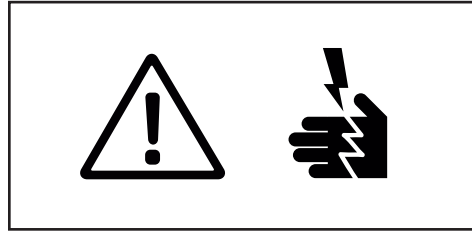


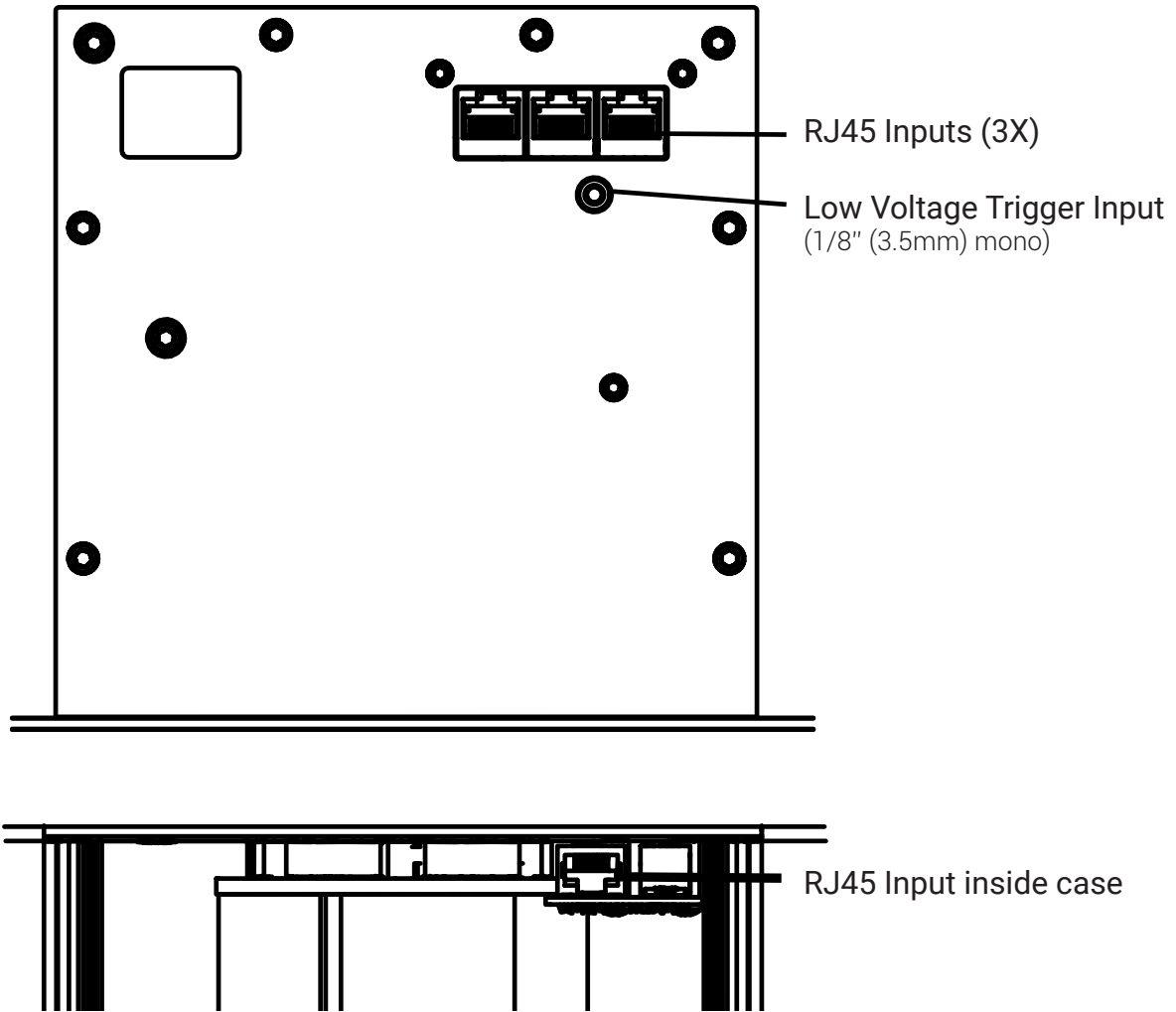
2

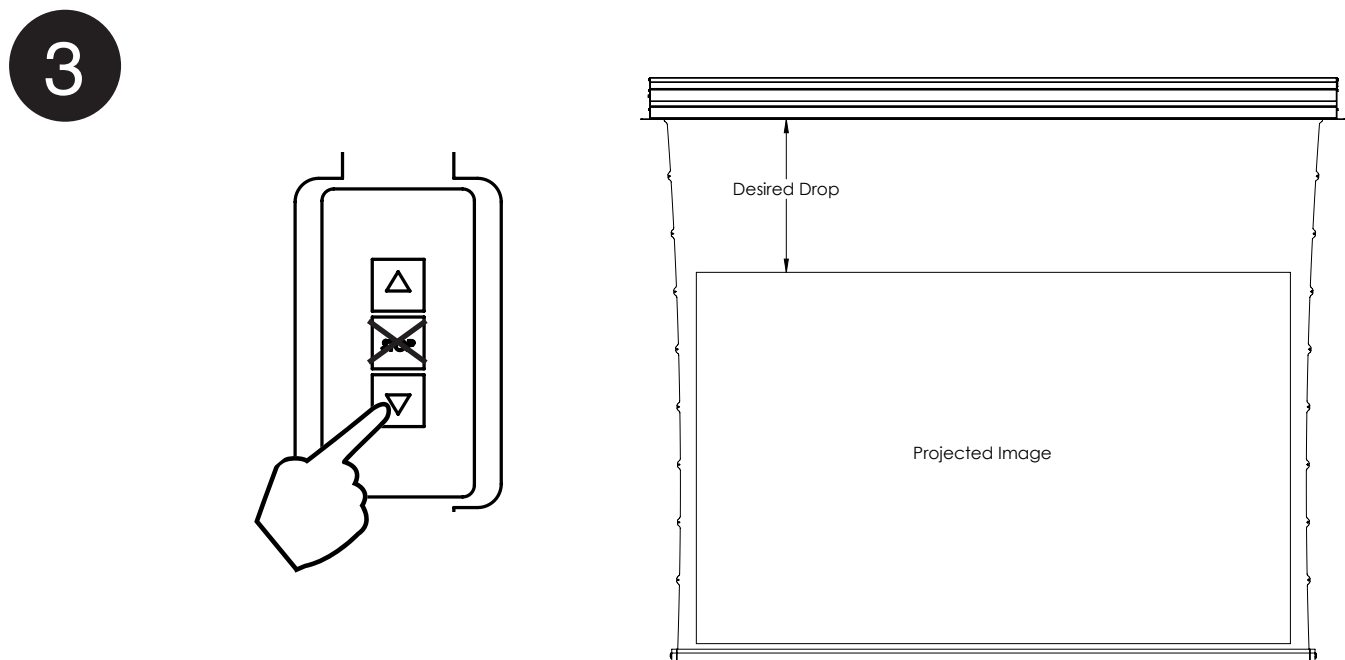
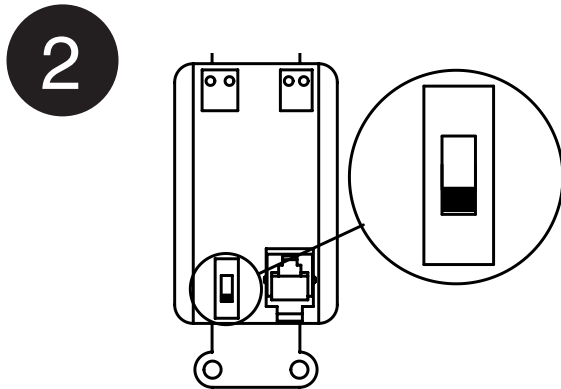
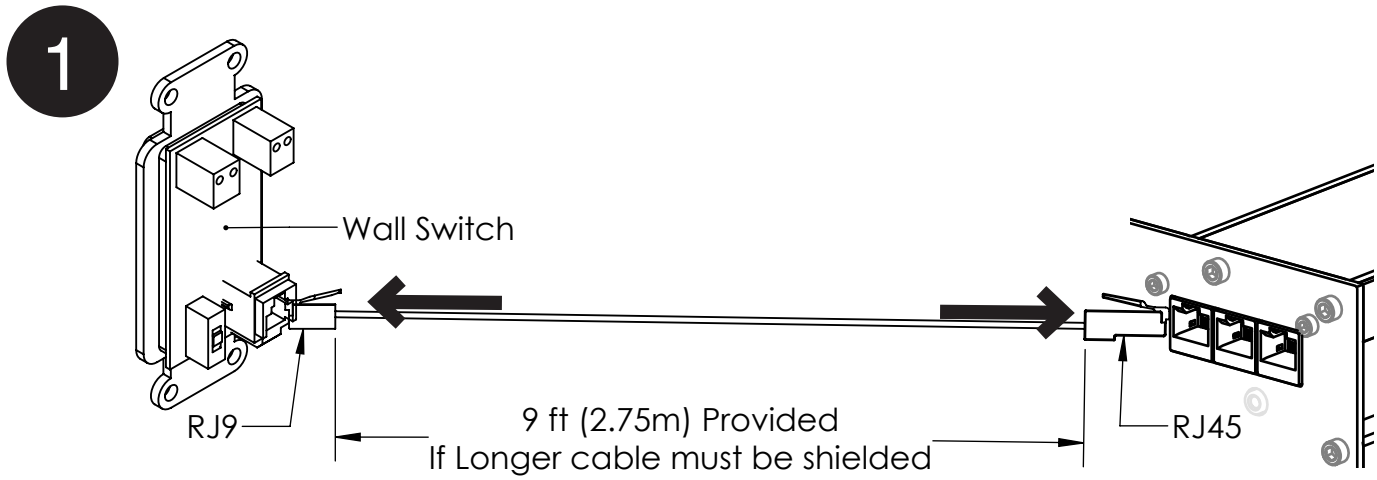


# Pigtail Connection

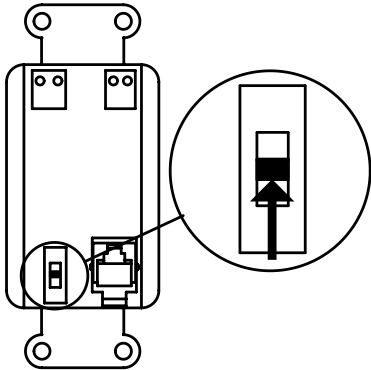
5 MOTORIZED



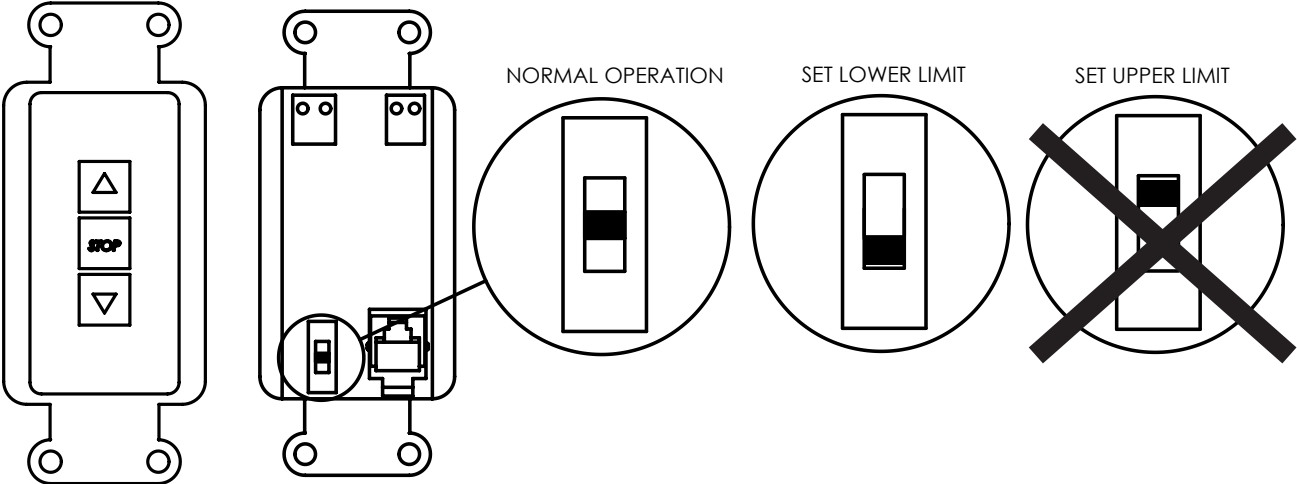




4

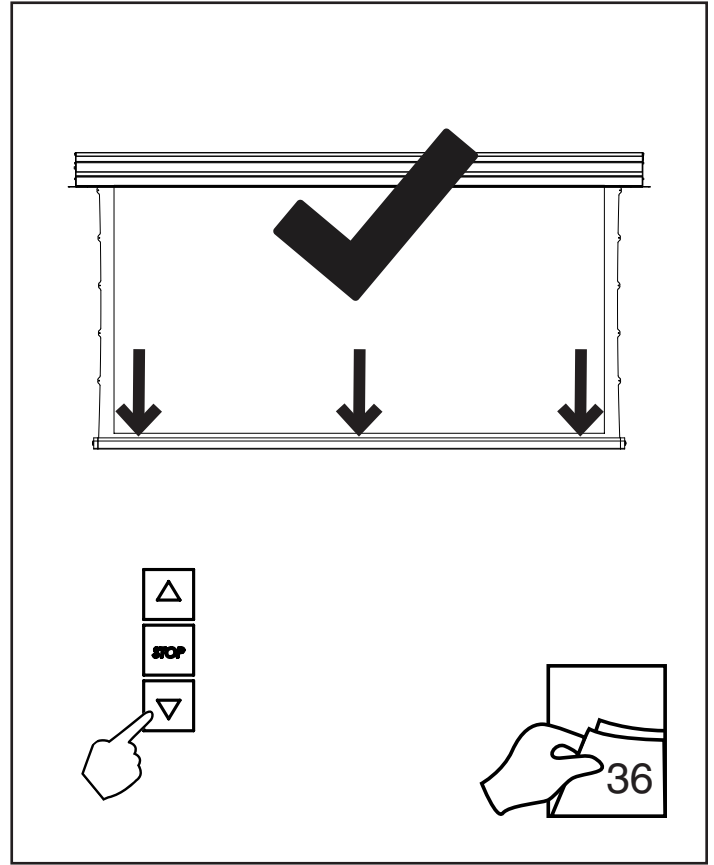
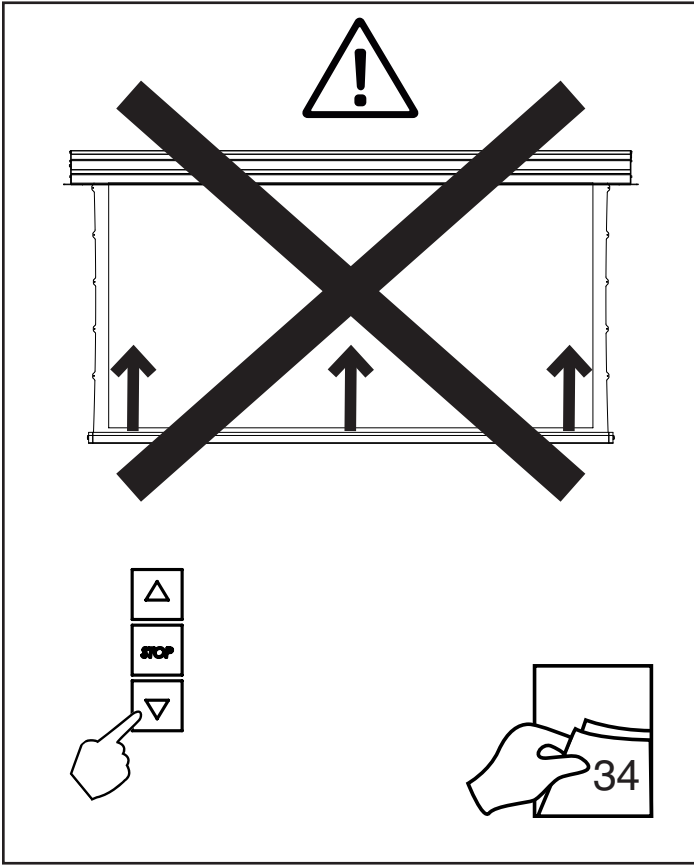


### Wall Switch General Operation



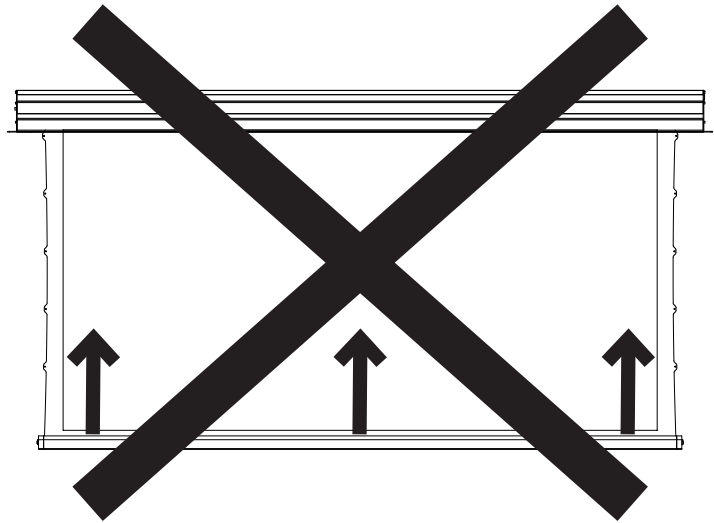
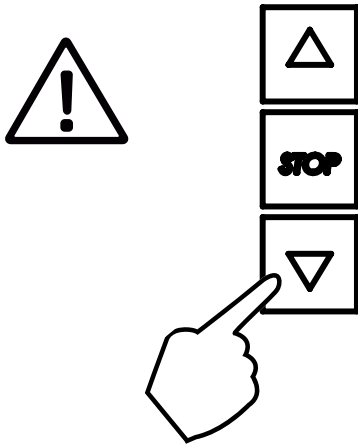
# Reverse Screen Direction

5 MOTORIZED

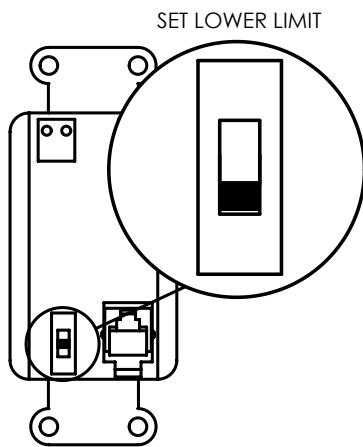


# Reverse Screen Direction

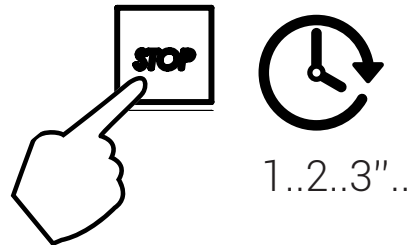
5 MOTORIZED



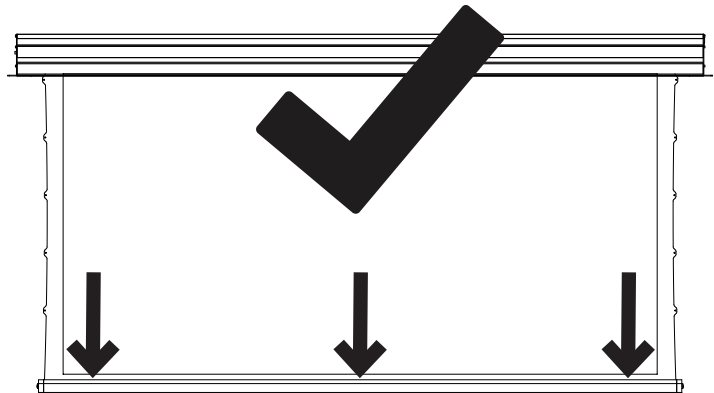
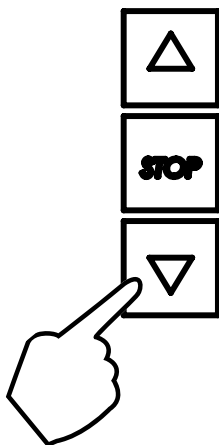
1



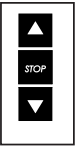
2



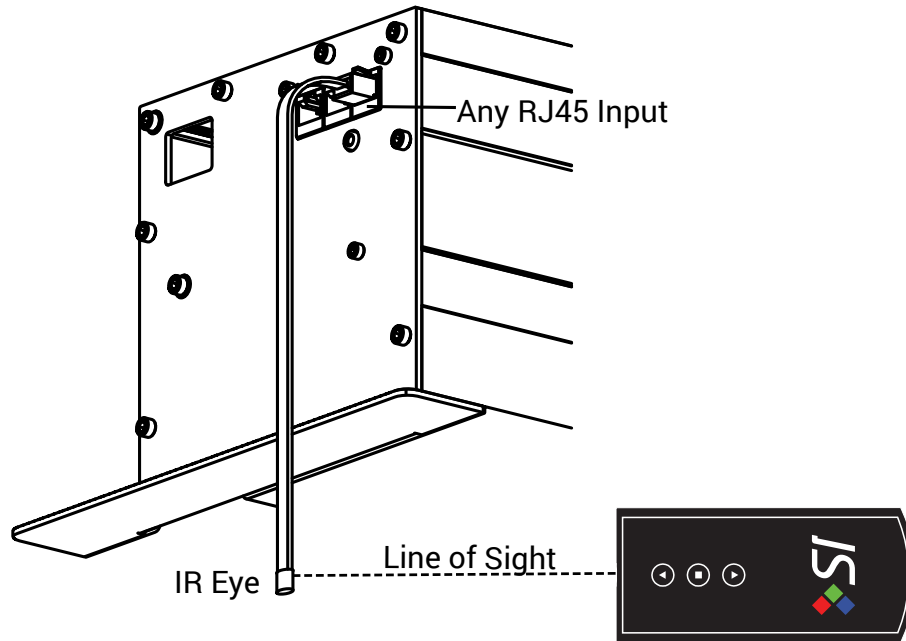
3



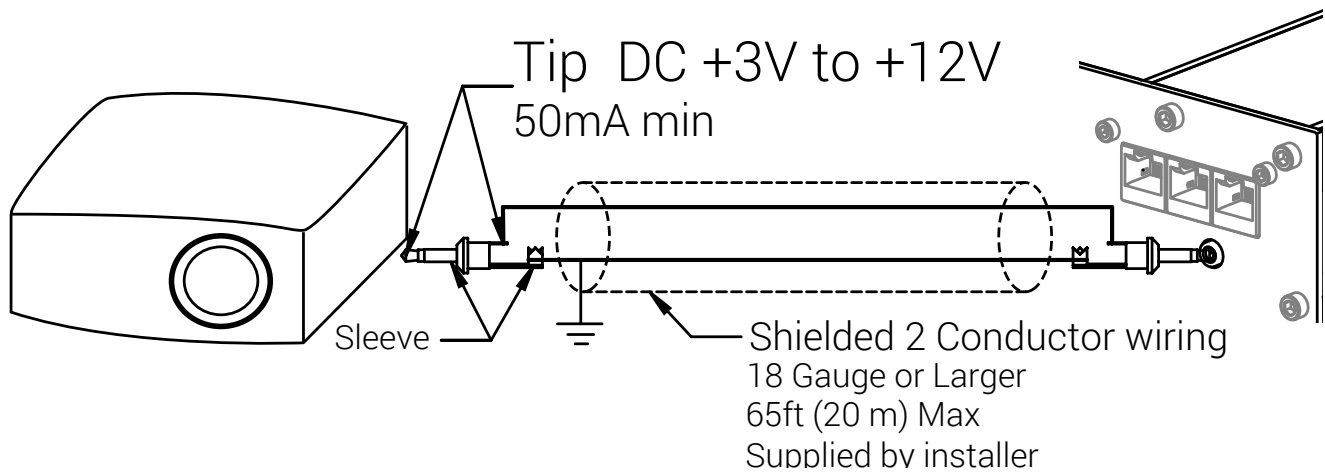




## Infrared (IR) Remote

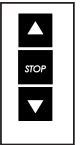


## 12 V Trigger



# 3rd Party Control System

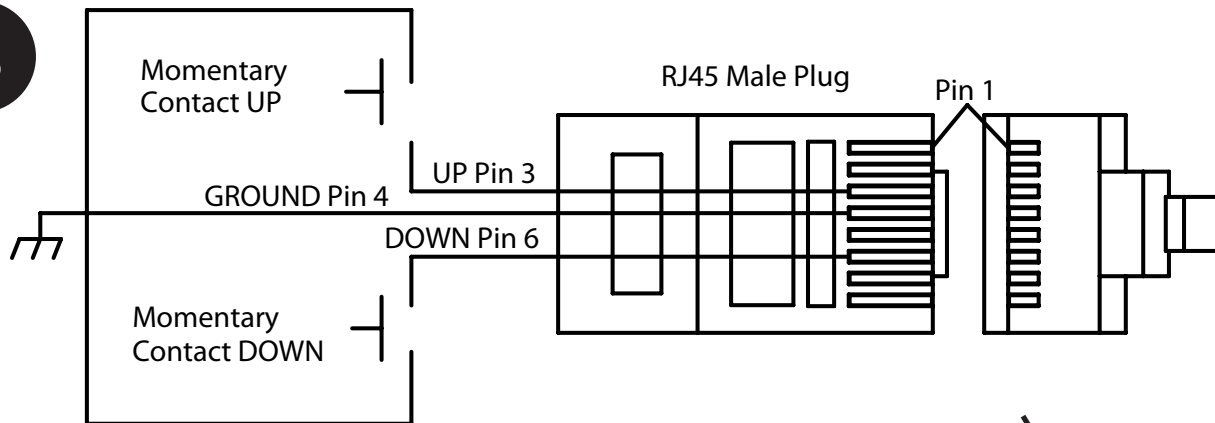
## Hex Codes



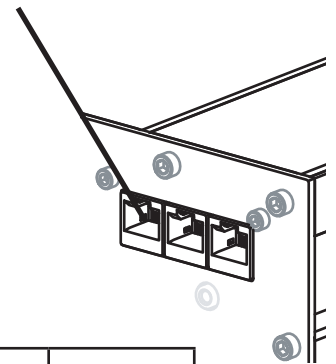
**A**

	0000 006c 0000 000c 0006 011b 0006 011b 0006 00bb 0006 00bb 0006 00bb 0006 00bb 0006 00bb 0006 00bb 0006 00bb 0006 00bb 0006 011b 0006 08a4
	0000 006c 0000 000c 0006 011b 0006 011b 0006 00bb 0006 00bb 0006 00bb 0006 00bb 0006 00bb 0006 00bb 0006 00bb 0006 011b 0006 011b 0006 08a4
	0000 006c 0000 000c 0006 011b 0006 011b 0006 00bb 0006 00bb 0006 00bb 0006 00bb 0006 00bb 0006 00bb 0006 00bb 0006 011b 0006 00bb 0006 08a4

**B**



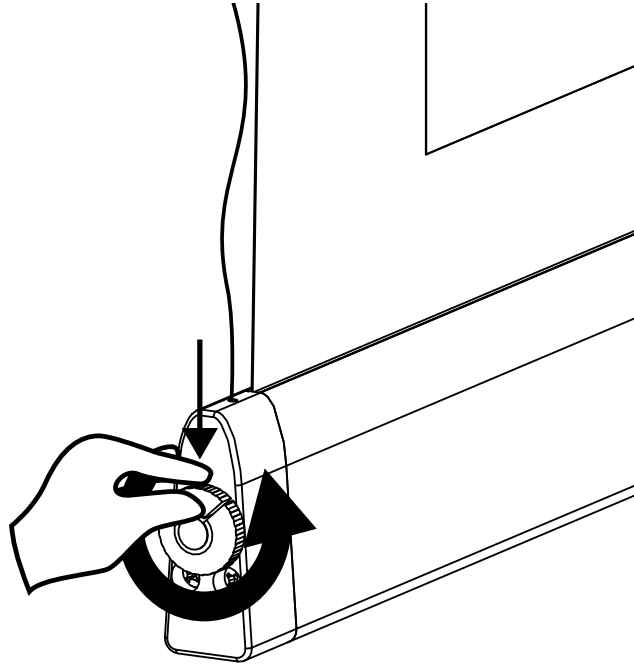
- Connect pin 3 to pin 4 (ground)
- Connect pin 3 and pin 6 to pin 4 (ground)
- Connect pin 6 to pin 4 (ground)



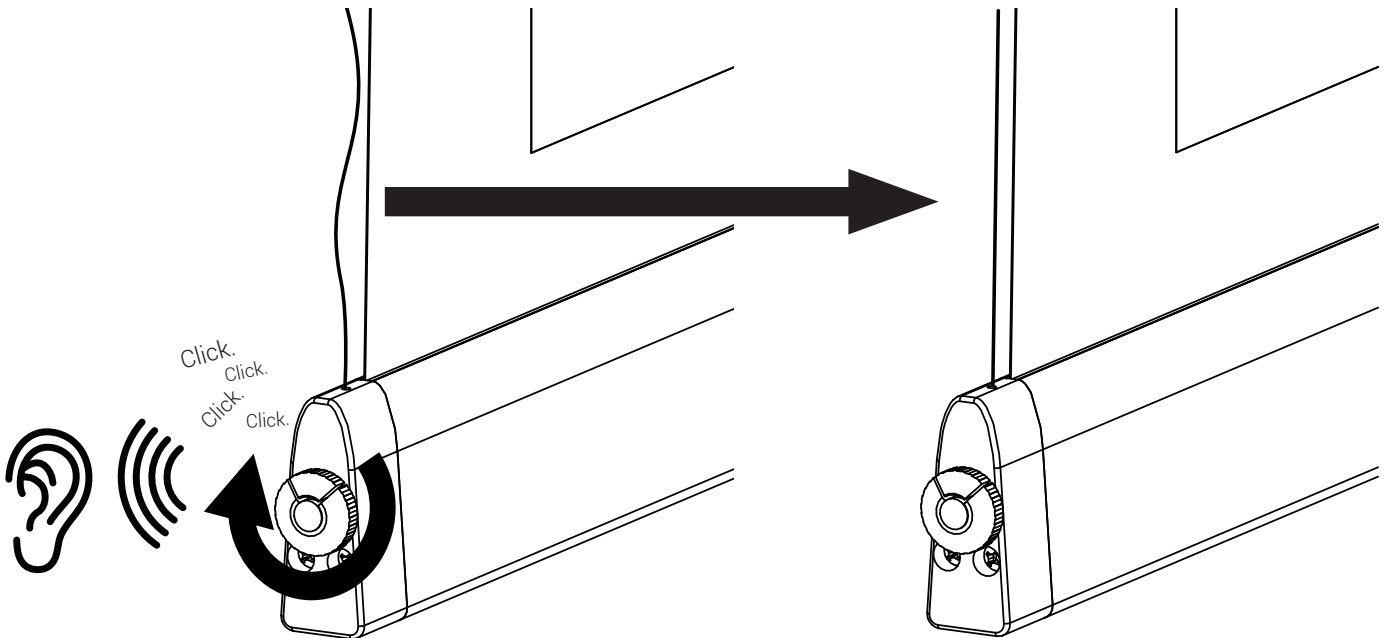
<b>CAT 5</b>	Orange/White	Orange	Green/White	Blue	Blue/White	Green	Brown/White	Brown
<b>Wall Switch</b>	1. Empty	2. Empty	3. Up	4. Ground	5. 5V	6. Down	7. Empty	8. Empty

<b>RJ45 to RJ9</b>	1. Empty	2. Empty	3. Yellow	4. Green	5. Red	6. Black	7. Empty	8. Empty
<b>Wall Switch</b>	1. Empty	2. Empty	3. Up	4. Ground	5. 5V	6. Down	7. Empty	8. Empty

1



2



# Troubleshooting

Problems related to electrical or motor function may require a qualified service person or electrician.

Should you have a problem that is not addressed here, call:

Screen Innovations (512-832-6939.)

<http://www.screeninnovations.com/category/support/>

Problem Description	Probably Cause	Action to Take
Motor shuts off. Motor has been in use for more than 2 minutes.	Motor is designed for short operations(lowering and retracting), not Continuous duty. Longer operation, causes the motor to overheat and shutoff. This typically happens during installation when testing the screen.	Allow the motor to cool down. Complete cooling can take an hour or more. Heat gain is cumulative and takes time to dissipate. If motor use is initiated before it has cooled completely, the motor will shut down again when it reaches maximum temperature.
Dirt, fingerprints, marks, etc. on screen surface.	Improper handling of screen.	Follow clean instructions outlined in the Screen Care and Cleaning Section.  <a href="https://www.screeninnovations.com/category/support/faq/general/#how-to-clean-your-projection-screen">https://www.screeninnovations.com/category/support/faq/general/#how-to-clean-your-projection-screen</a>
Indentations appear on screen surface.	Debris or particles adhering to screen due to static cling.	Check back of screen as well as front of screen for dust or debris. Wipe the back of the screen with a clean damp cloth. Also, lightly brush off the front of the screen.
Screen won't operate.	No AC power available.	Check to see if the circuit breaker has switched off. Reset if needed. Check outboard switching apparatus. Check voltage availability. Contact an electrician.
Wrinkles near bottom of screen.	Screen material has stretched and thus increased the tension on the tabs.	Follow the setting optimum tension procedure in the adjusting screen tension section.

# NOTES

# NOTES

# NOTES

# NOTES