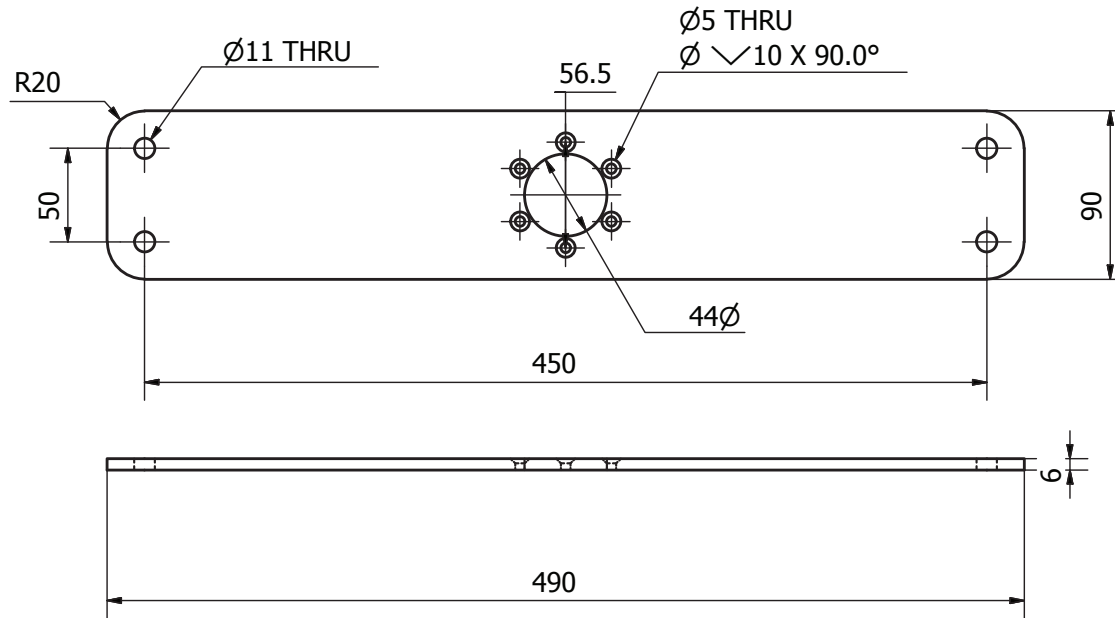
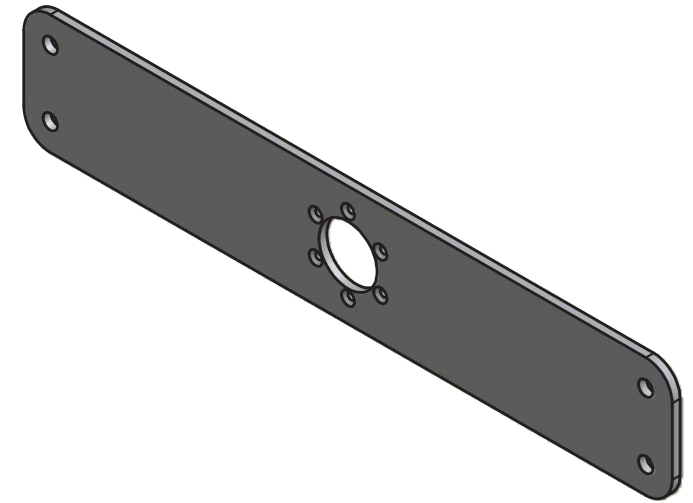


**NOTES:**

- Optional base plate to suit our range of Interfit Projector Brackets
- Base Plate is 490mm L x 90mm W
- 1425009B - Black
- 1425009W - White



Manufacturing tolerance +/- 5mm  
 All dimensions are in (mm)  
 If installed in ceiling always allow for removal for servicing.

The Concept, Design and Details in this drawing are the property of Screen Technics with whom the copyright resides. They may not be reproduced without written permission of Screen Technics.

Date	Part Number	Rev
16/07/2019	14250009X	02

AUSTRALIA

22-24 Suttor Road  
 Moss Vale NSW 2577  
 +61 2 4869 2100

screeentechnics.com.au • info@screeentechnics.com.au

NEW ZEALAND

44 Mahana Road  
 Te Rapa, Hamilton  
 +0800 022 821