



## CinemaSnap 235 Side Masking

The best home theatre solution available  
SIZES 84" - 180"

The ultimate home theatre experience is Cinemascope, just as the movie studios intended. With the new CinemaSnap 235 you can have the best of both worlds: 2.35:1 Cinemascope for DVDs, and, by using the motorised side masking system, reshape the screen to 16:9 HDTV for widescreen TV broadcasts.

For your home theatre there is nothing that compares with the perfect lay flat of a fixed frame screen and the Matrix White or Micro Perforated surface delivers the additional resolution and colour saturation that has become an industry hallmark for cinema perfection. Combined with 235 side masking, you have the best home theatre solution available.

### Market Segments:



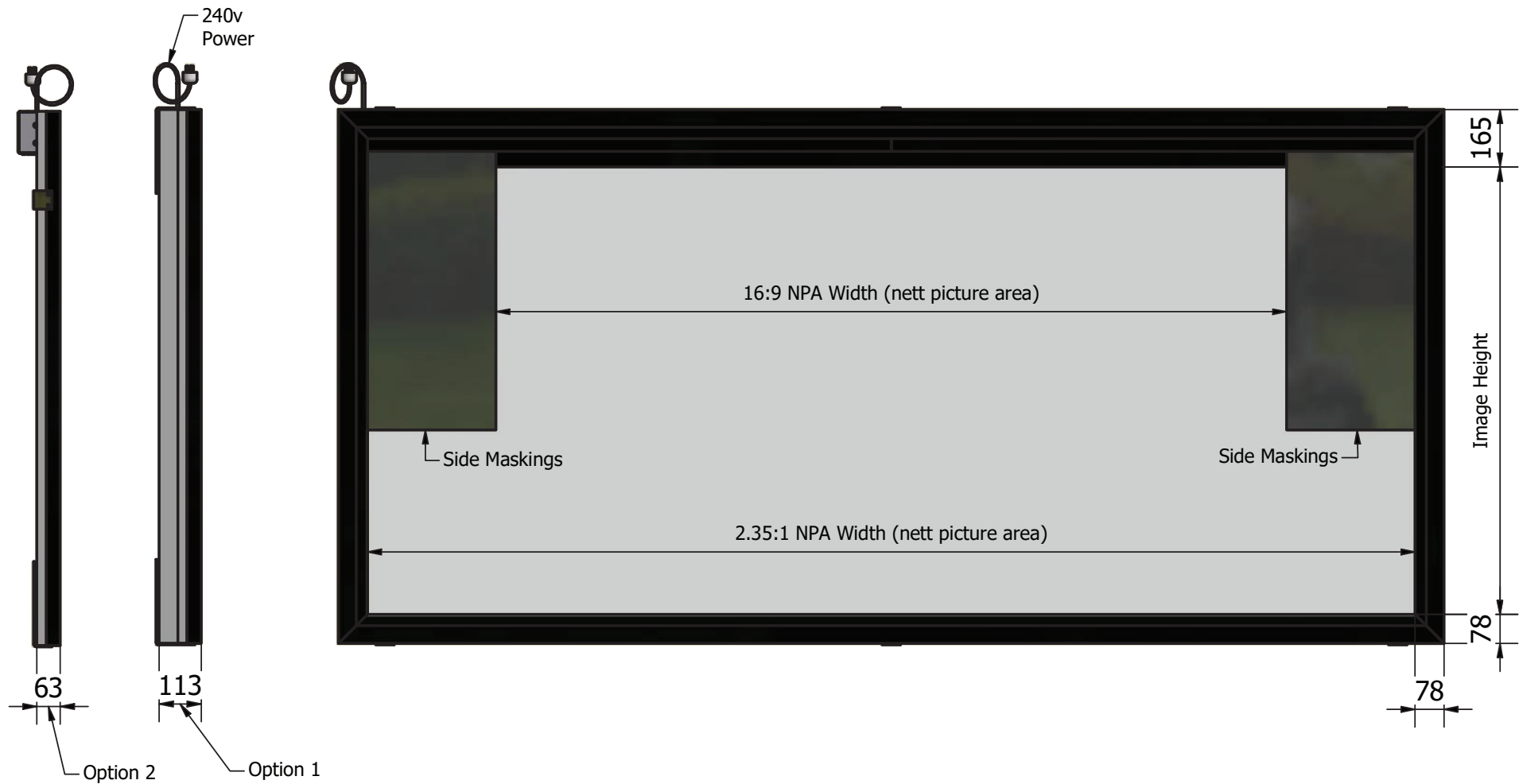
Home  
Entertainment

2.35:1 Cinemascope to 16:9 HDTV at the push of a button. Designed to work with projectors that use anamorphic lens technology.

### Benefits include:

- Original movie aspect ratio 2.35:1
- Integrated side masking for 16:9
- Perfect lay flat
- Flush sitting masking, with no shadow-line





NOTES:

- Option 1; is flush mounted onto wall
- Option 2; is to recess the top headbox into the wall cavity for a slimlined installation
- Always have frame on site before building wall. You require access above and below frame to attach brackets with screw gun

Full technical drawings and installation instructions can be found on our website  
Manufacturing tolerance +/- 5mm. All dimensions are in (mm). If installed in ceiling always allow for removal for servicing.

The Concept, Design and Details in this drawing are the property of Screen Technics with whom the copyright resides. They may not be reproduced without written permission of Screen Technics.

Date  
15/10/2020

Rev  
04

**Product Features**

**DESCRIPTION:**

Wall mounted screen system with side masking for dual format Cinemascope to HDTV formats

**SURFACE:**

Hi Res Matrix White Gain 1.1

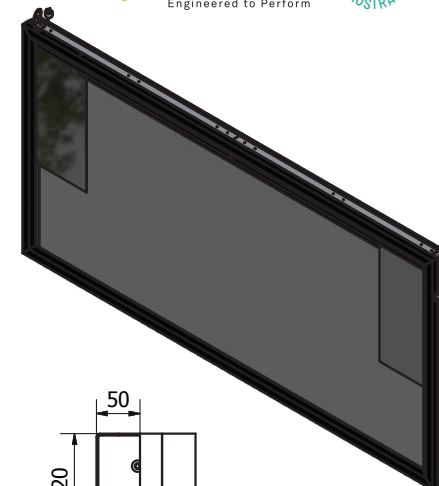
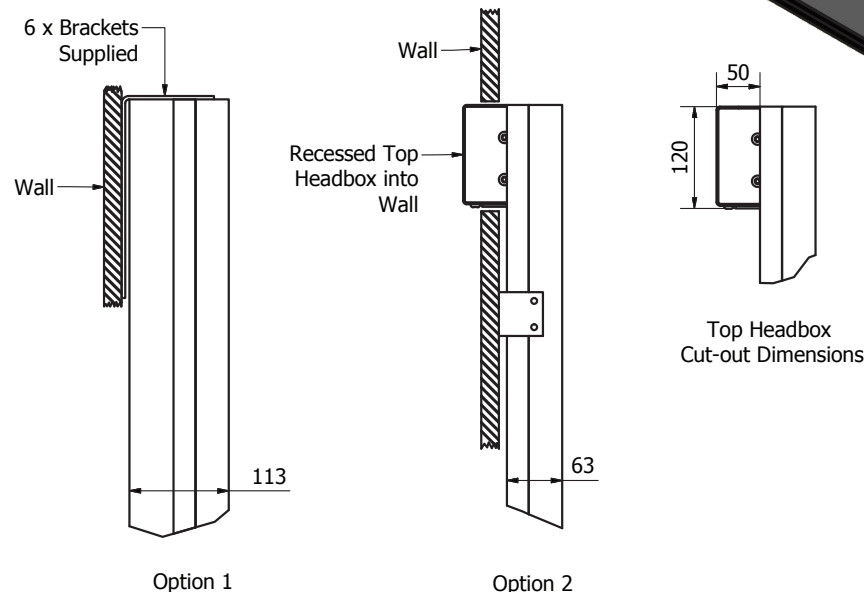
**FRAME:**

Aluminium constructions with Flocked frame for projector over-scan reduction

**SIZES:**

84" Diagonal up to 180" Diagonal Custom Sizes & Formats available upon request

ITEM NO	INCH DIAGONAL	IMAGE SIZE mm	FORMAT
5708446	84"	835 x 1965/1485	Cinemascope 2.35:1
5709246	92"	915 x 2155/1625	Cinemascope 2.35:1
5709646	96"	955 x 2245/1700	Cinemascope 2.35:1
5710046	100"	995 x 2340/1770	Cinemascope 2.35:1
5711046	110"	1095 x 2575/1950	Cinemascope 2.35:1
5712046	120"	1195 x 2810/2125	Cinemascope 2.35:1
5713046	130"	1295 x 3045/2305	Cinemascope 2.35:1
5714046	140"	1395 x 3280/2480	Cinemascope 2.35:1
5715046	150"	1495 x 3515/2660	Cinemascope 2.35:1
5716046	160"	1595 x 3750/2835	Cinemascope 2.35:1
5717046	170"	1695 x 3980/3015	Cinemascope 2.35:1
5718046	180"	1795 x 4215/3190	Cinemascope 2.35:1



**NOTES:**

- Option 1; is flush mounted onto wall
- Option 2; is to recess the top headbox into the wall cavity for a slimlined installation

**ARCHITECTS SPECIFICATION**

The projection screen shall be an Australian made Screen Technics CinemaSnap MX 235 model \_\_\_\_\_ with Matrix White PVC surface and shall be located where indicated on the plans. Installation shall be done in accordance with the manufacturer's instructions

Full technical drawings and installation instructions can be found on our website  
 Manufacturing tolerance +/- 5mm. All dimensions are in (mm). If installed in ceiling always allow for removal for servicing.



AUSTRALIA

22-24 Suttor Road

Moss Vale NSW 2577

+61 2 4869 2100

NEW ZEALAND

44 Mahana Road

Te Rapa, Hamilton

+0800 022 821

screeentechnics.com.au • info@screeentechnics.com.au

## Product Features

### DESCRIPTION:

Wall mounted screen system with side masking for dual format Cinemascope to HDTV formats

### SURFACE:

Micro Perforated Gain 0.95

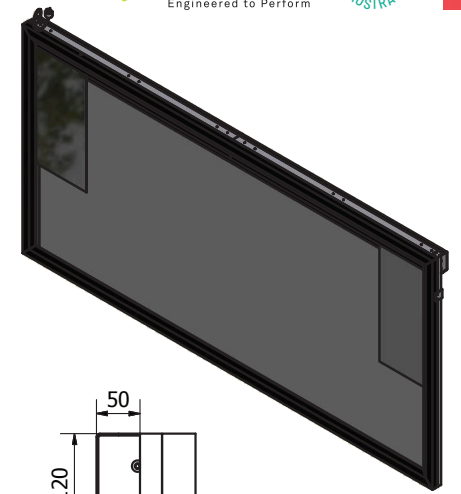
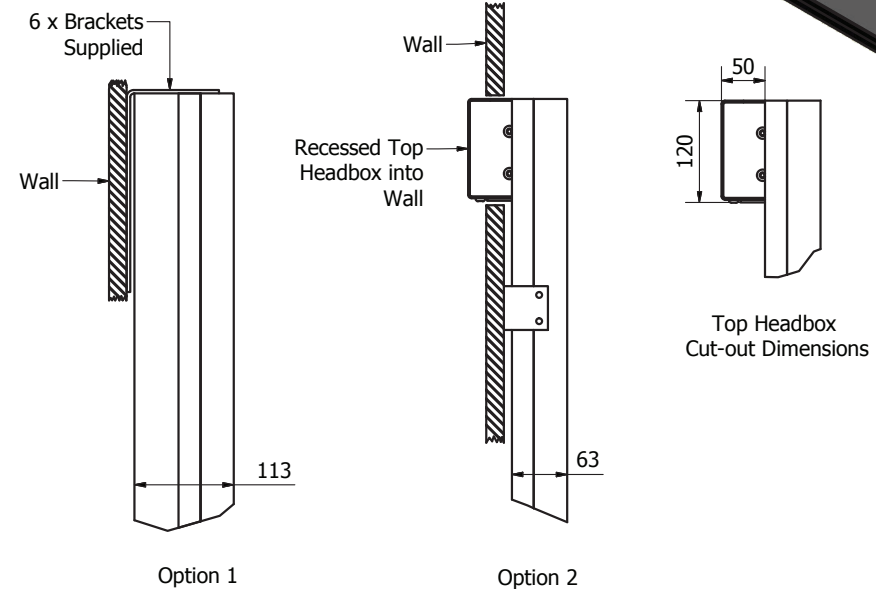
### FRAME:

Aluminium constructions with Flocked frame for projector over-scan reduction

### SIZES:

84" Diagonal up to 180" Diagonal Custom Sizes & Formats available upon request

ITEM NO	INCH DIAGONAL	IMAGE SIZE mm	FORMAT
5708443	84"	835 x 1965/1485	Cinemascope 2.35:1
5709243	92"	915 x 2155/1625	Cinemascope 2.35:1
5709643	96"	955 x 2245/1700	Cinemascope 2.35:1
5710043	100"	995 x 2340/1770	Cinemascope 2.35:1
5711043	110"	1095 x 2575/1950	Cinemascope 2.35:1
5712043	120"	1195 x 2810/2125	Cinemascope 2.35:1
5713043	130"	1295 x 3045/2305	Cinemascope 2.35:1
5714043	140"	1395 x 3280/2480	Cinemascope 2.35:1
5715043	150"	1495 x 3515/2660	Cinemascope 2.35:1
5716043	160"	1595 x 3750/2835	Cinemascope 2.35:1
5717043	170"	1695 x 3980/3015	Cinemascope 2.35:1
5718043	180"	1795 x 4215/3190	Cinemascope 2.35:1



### NOTES:

- Option 1; is flush mounted onto wall
- Option 2; is to recess the top headbox into the wall cavity for a slimlined installation

### ARCHITECTS SPECIFICATION

The projection screen shall be an Australian made Screen Technics CinemaSnap MP 235 model 57\_\_\_\_\_ with Microperforated PVC surface and shall be located where indicated on the plans. Installation shall be done in accordance with the manufacturer's instructions

Full technical drawings and installation instructions can be found on our website  
Manufacturing tolerance +/- 5mm. All dimensions are in (mm). If installed in ceiling always allow for removal for servicing.