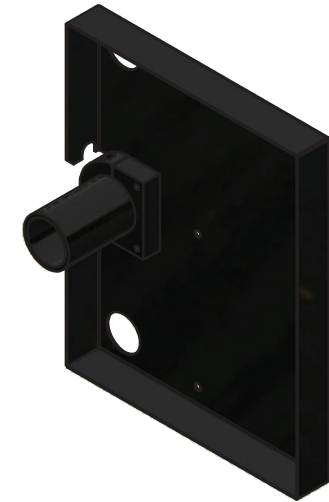
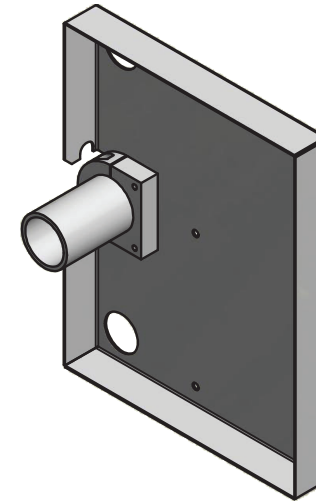
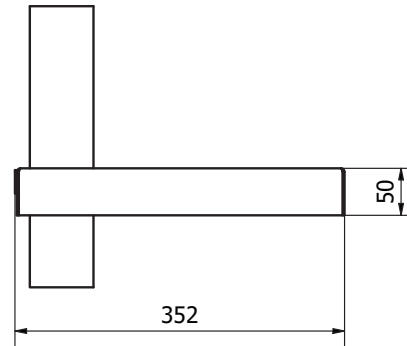


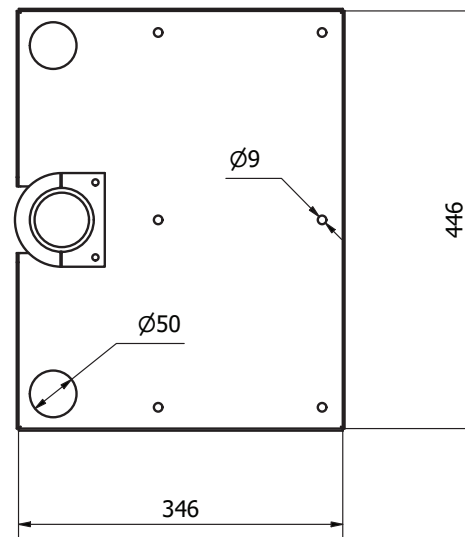
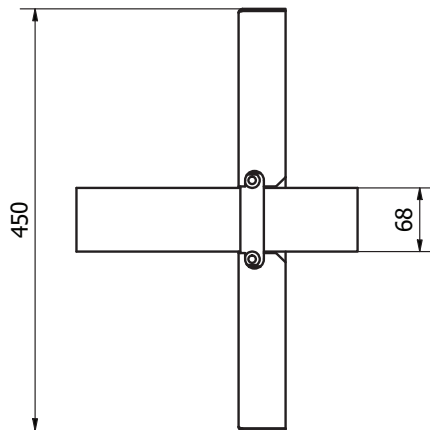
NOTES:

- This tray attaches above a standard projector bracket on the projector pole. Maximum weight load 3kg
- It is made from 2mm aluminium sheet
- Only suitable for pole lengths of 200mm or more
- Standard colours are black or white
- We also have the ability to custom make special sizes and hole placements
- Pole not included



1429999W

1429999B



Manufacturing tolerance +/- 5mm
All dimensions are in (mm)
If installed in ceiling always allow for removal for servicing.



AUSTRALIA

22-24 Suttor Road
Moss Vale NSW 2577
+61 2 4869 2100

NEW ZEALAND

44 Mahana Road
Te Rapa, Hamilton
+0800 022 821

The Concept, Design and Details in this drawing are the property of Screen Technics with whom the copyright resides. They may not be reproduced without written permission of Screen Technics.

Date
16/07/2019

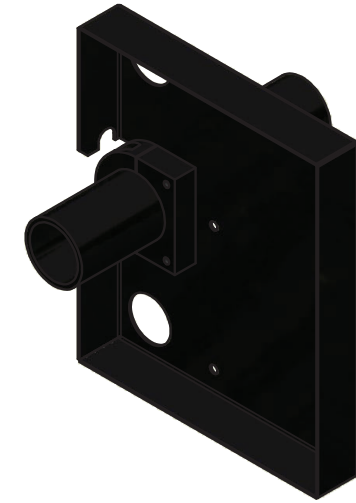
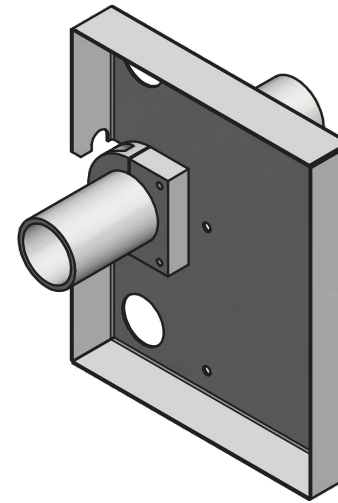
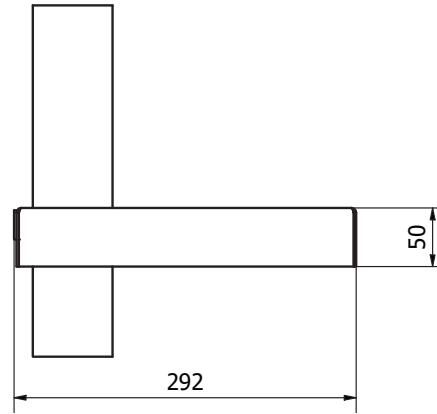
Part Number

Rev
02

screeentechnics.com.au • info@screeentechnics.com.au

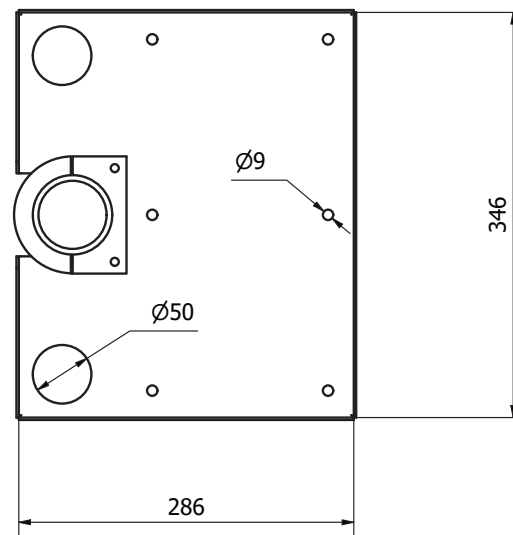
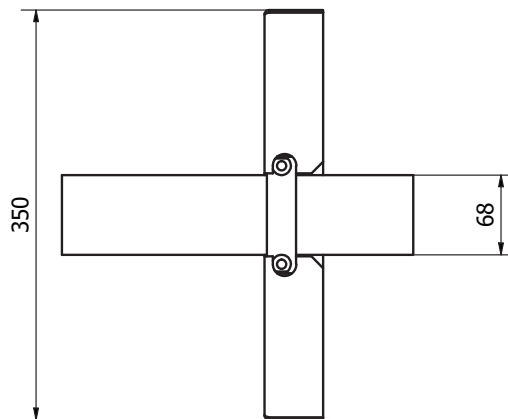
NOTES:

- This tray attaches above a standard projector bracket on the projector pole. Maximum weight load 3kg
- It is made from 2mm aluminium sheet
- Only suitable for pole lengths of 200mm or more
- Standard colours are black or white
- We also have the ability to custom make special sizes and hole placements



1428999W

1428999B



Manufacturing tolerance +/- 5mm
 All dimensions are in (mm)
 If installed in ceiling always allow for removal for servicing.



AUSTRALIA

22-24 Suttor Road
 Moss Vale NSW 2577
 +61 2 4869 2100

NEW ZEALAND

44 Mahana Road
 Te Rapa, Hamilton
 +0800 022 821

The Concept, Design and Details in this drawing are the property of Screen Technics with whom the copyright resides. They may not be reproduced without written permission of Screen Technics.

Date	Part Number	Rev
16/07/2019		02

screeentechnics.com.au • info@screeentechnics.com.au