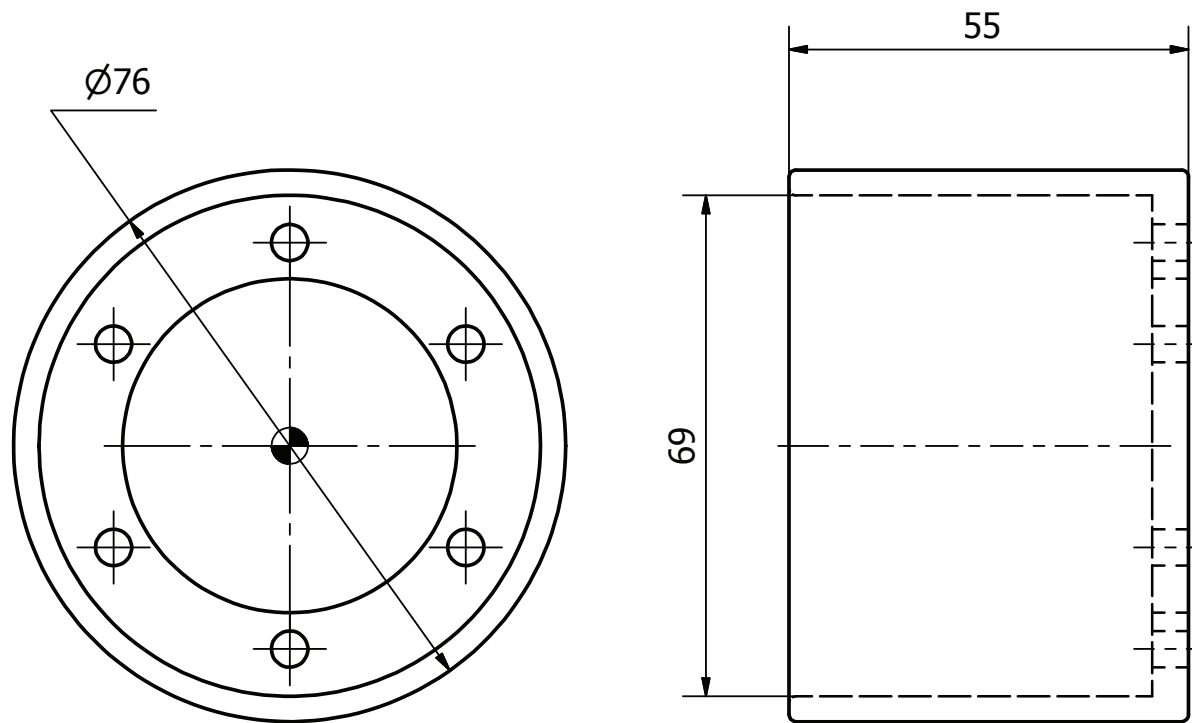
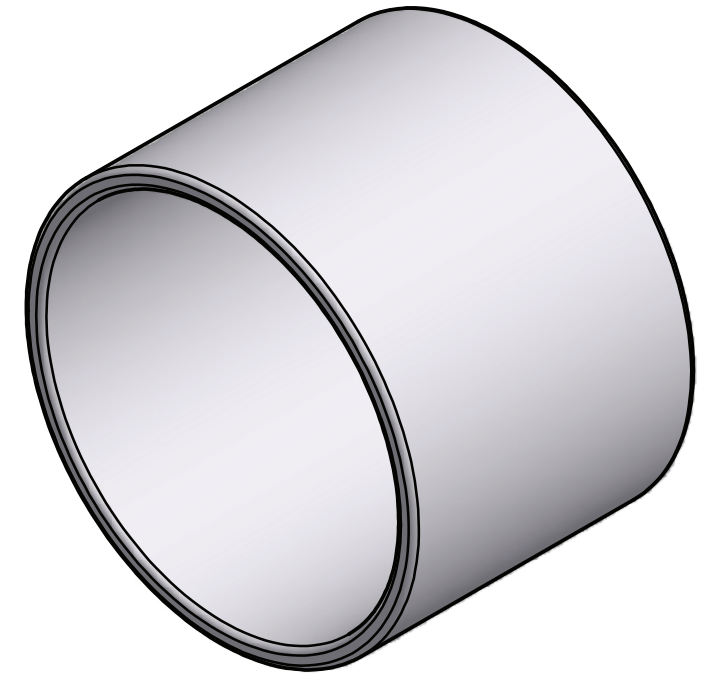


NOTES:

- The interfit bracket system is designed to be able to cut down to the required pole length on-site, and then the system simply screws back together after the pole has been trimmed. But if you are not able to perform a neat right-angle cut on-site, you can utilise the deeper cut-down collar which will cover unsightly cutting and square up the pole in relation to the backplate
- At time of order please use correct code to receive correct colour
- 1423000B - Black
- 1423000W - White



Manufacturing tolerance +/- 5mm
 All dimensions are in (mm)
 If installed in ceiling always allow for removal for servicing.