

Interfit Flat Panel Lift - Vertical Down

Keep your flat panel screen safe, secure and out of sight when not in use.

SIZES TO ACCOMMODATE PANELS: 32" - 55"

A contemporary solution to audio-visual storage, the Interfit Vertical Up and Vertical Down lifts are designed to raise and lower your flat panel screen from custom built cabinetry using a structurally rigid lineal bearing system to make your plasma screen safe, secure and out of sight when not in use.



With a slim-line design and fail-safe mechanism to protect the user and an integrated door opening solution, the Interfit Flat Panel Lift provides a simple, modular approach to what was once a complicated installation.

Ultra safe design, as the mechanism is not driven downwards, thus preventing any potential crush injuries.

- Description:** Ceiling mounted vertical lifting devices for flat panel monitors
Construction: Powder coated aluminium frame and mechanism - utilising lineal bearing arms for lift
Features: Integrated door opening solution with ceiling edge cover strips, mechanism cover blind, fall arrestor system

Market Segments:



Home
Entertainment



Education



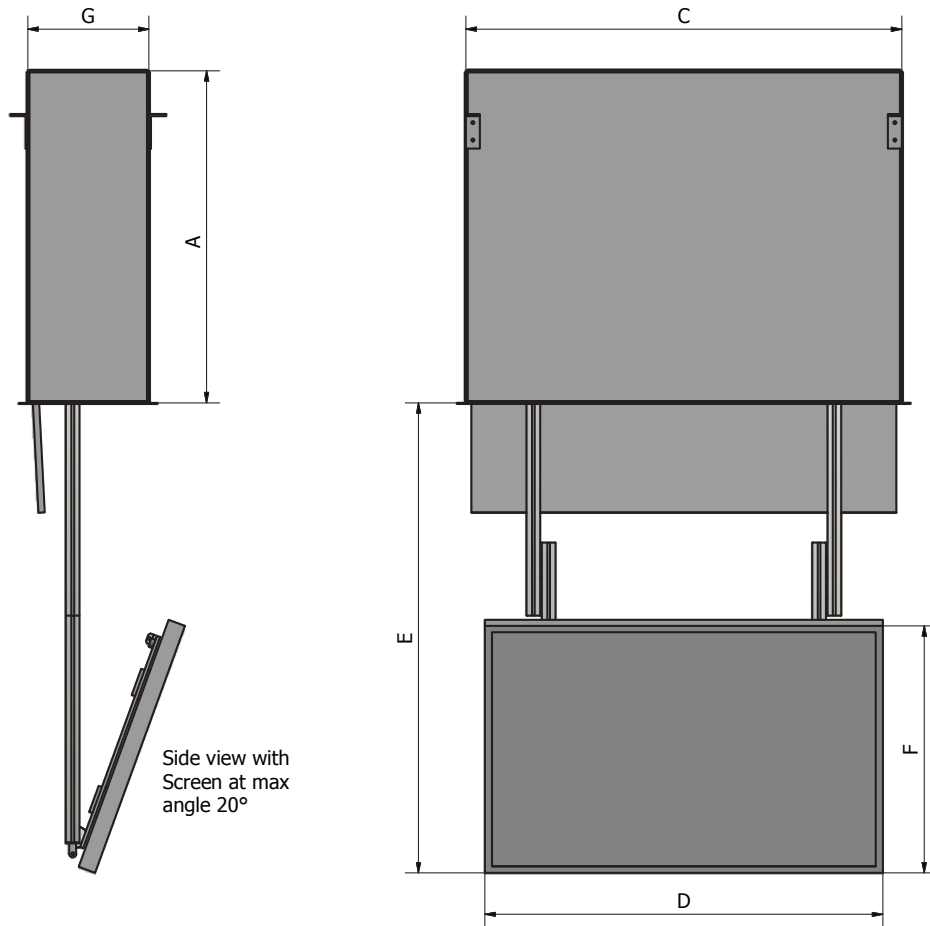
Government



Corporate

Benefits include:

- Integrated door opening solution with ceiling edge cover strips, mechanics, cover blind
- Fall-arrestor system



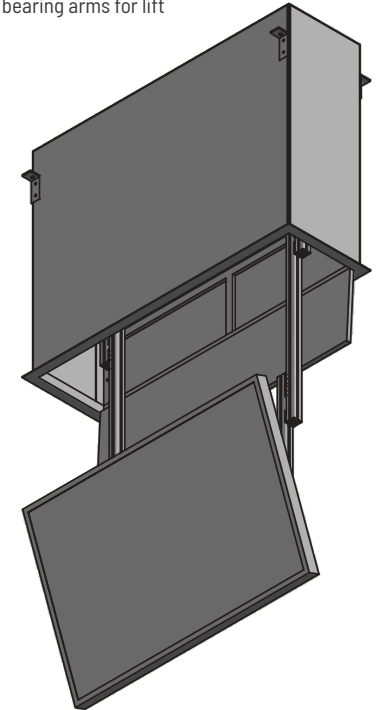
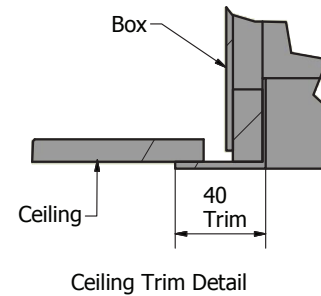
Product Features

DESCRIPTION:
Ceiling Mounted Vertical Lifting Devices for Flat Panels

SIZES:
5 sizes available

INSTALLATION:
Caged one piece unit, utilising nutserts for 'L' Brackets or eyebolts for chain install

CONSTRUCTION:
Powder coated aluminium frame & mechanism - utilising lineal bearing arms for lift



ARCHITECTS SPECIFICATION
The panel lifter shall be an Australian made Screen Technics lifter model _____ and shall be located where indicated on the plans. Installation shall be done in accordance with the manufacturer's instructions

ITEM NO	UNIT DIMENSIONS			MAX PANEL DIMENSIONS			TRAVEL	PANEL SIZE GUIDE (ONLY)	UNIT WEIGHT	LIFTING CAPACITY
	C	G	A	D	B	F				
1471000	1110	350	960	1000	145	652	1140	32" to 37" Diagonal	65kg	25kg
1471150	1260	350	960	1150	145	760	1350	40" to 42" Diagonal	75kg	30kg
1471300	1410	350	1060	1300	145	860	1500	42" to 50" Diagonal	85kg	35kg
1471450	1560	350	1100	1450	145	900	1500	50" to 55" Diagonal	95kg	40kg
1471600	1710	350	1200	1600	145	1000	1500	55" plus Diagonal	105kg	45kg



The Concept, Design and Details in this drawing are the property of Screen Technics with whom the copyright resides. They may not be reproduced without written permission of Screen Technics.

Date	Part Number	Rev
16/07/2019	14xxxxxx	2

Manufacturing tolerance +/- 5mm
All dimensions are in (mm)
If installed in ceiling always allow for removal for servicing.

AUSTRALIA

22-24 Suttor Road
Moss Vale NSW 2577

+61 2 4869 2100

screeentechnics.com.au • info@screeentechnics.com.au

NEW ZEALAND

44 Mahana Road
Te Rapa, Hamilton

+0800 022 821