

Product Features

DESCRIPTION:

Security cage system

FEATURES:

Unit has tilt adjustment to align with projector, movable uprights to suit centre or offset lens, system clamps around existing Interfit Projector Bracket, standard padlock style security (supplied by other)

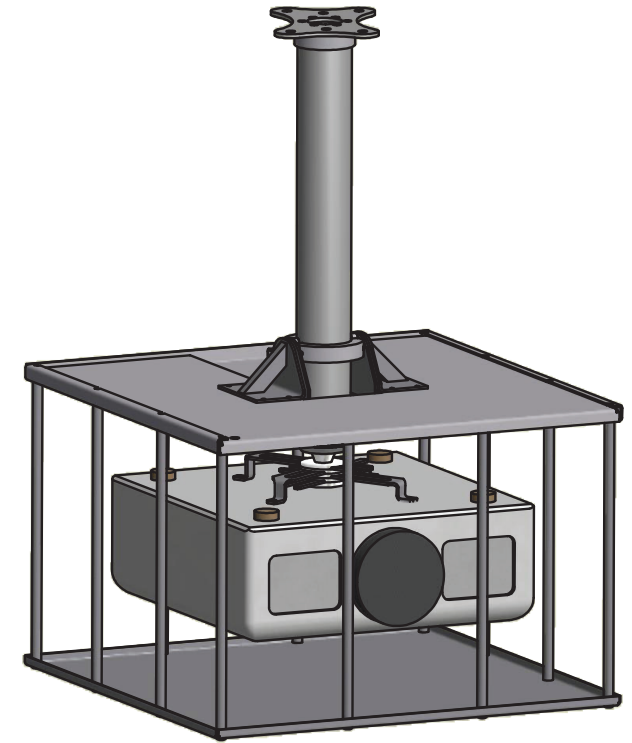
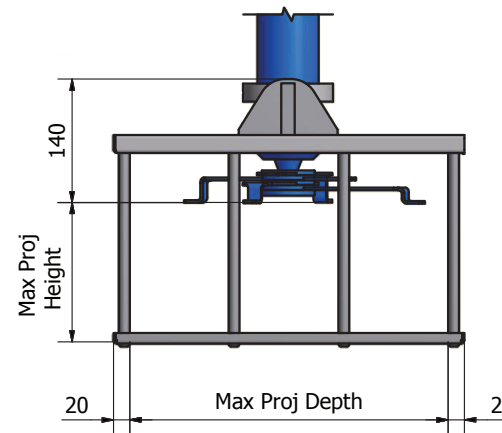
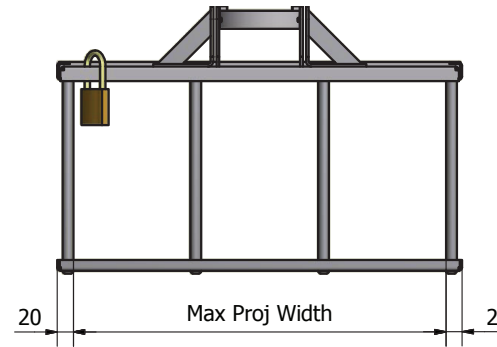
SIZES:

6 sizes available, custom sizes available on application

COLOURS:

Available in Black or White

NOTE: This cage is designed to deter theft. It is not designed as a protection against impacts



ITEM NO	COLOUR	MAX LOAD (kg)	MAX PROJECTOR DIMENSIONS (mm)		
			W	D	H
1427000AW	White	25.0	400	350	150
1427000AB	Black	25.0	400	350	150
1427000BW	White	25.0	418	418	195
1427000BB	Black	25.0	418	418	195
1427000CW	White	25.0	508	508	195
1427000CB	Black	25.0	508	508	195
1427000DW	White	25.0	508	508	250
1427000DB	Black	25.0	508	508	250
1427000EW	White	25.0	620	620	250
1427000EB	Black	25.0	620	620	250
1427000FW	White	25.0	700	700	300
1427000FB	Black	25.0	700	700	300

Manufacturing tolerance +/- 5mm

All dimensions are in (mm)

If installed in ceiling always allow for removal for servicing.

The Concept, Design and Details in this drawing are the property of Screen Technics with whom the copyright resides. They may not be reproduced without written permission of Screen Technics.

Date	Part Number	Rev
16/07/2019	1425010X	02



AUSTRALIA

22-24 Suttor Road

Moss Vale NSW 2577

+61 2 4869 2100

screeentechnics.com.au • info@screeentechnics.com.au

NEW ZEALAND

44 Mahana Road

Te Rapa, Hamilton

+0800 022 821