



MasterFit A(+)(Plus)

Convenient one-stop installation

SIZES 72" - 115"

An integrated in-ceiling screen solution designed for installation from below the ceiling line. Uses a custom designed aluminium box for a lightweight solution, yet still provides structural integrity.

Market Segments:



Home
Entertainment



Education



Government



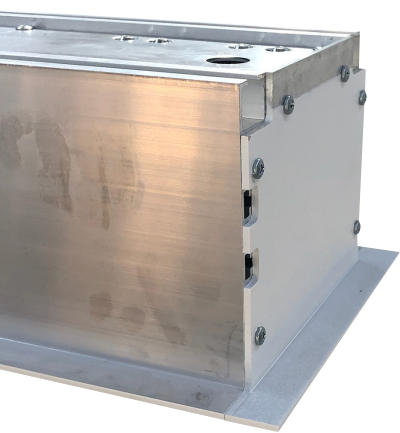
Defense



Boardroom



Corporate



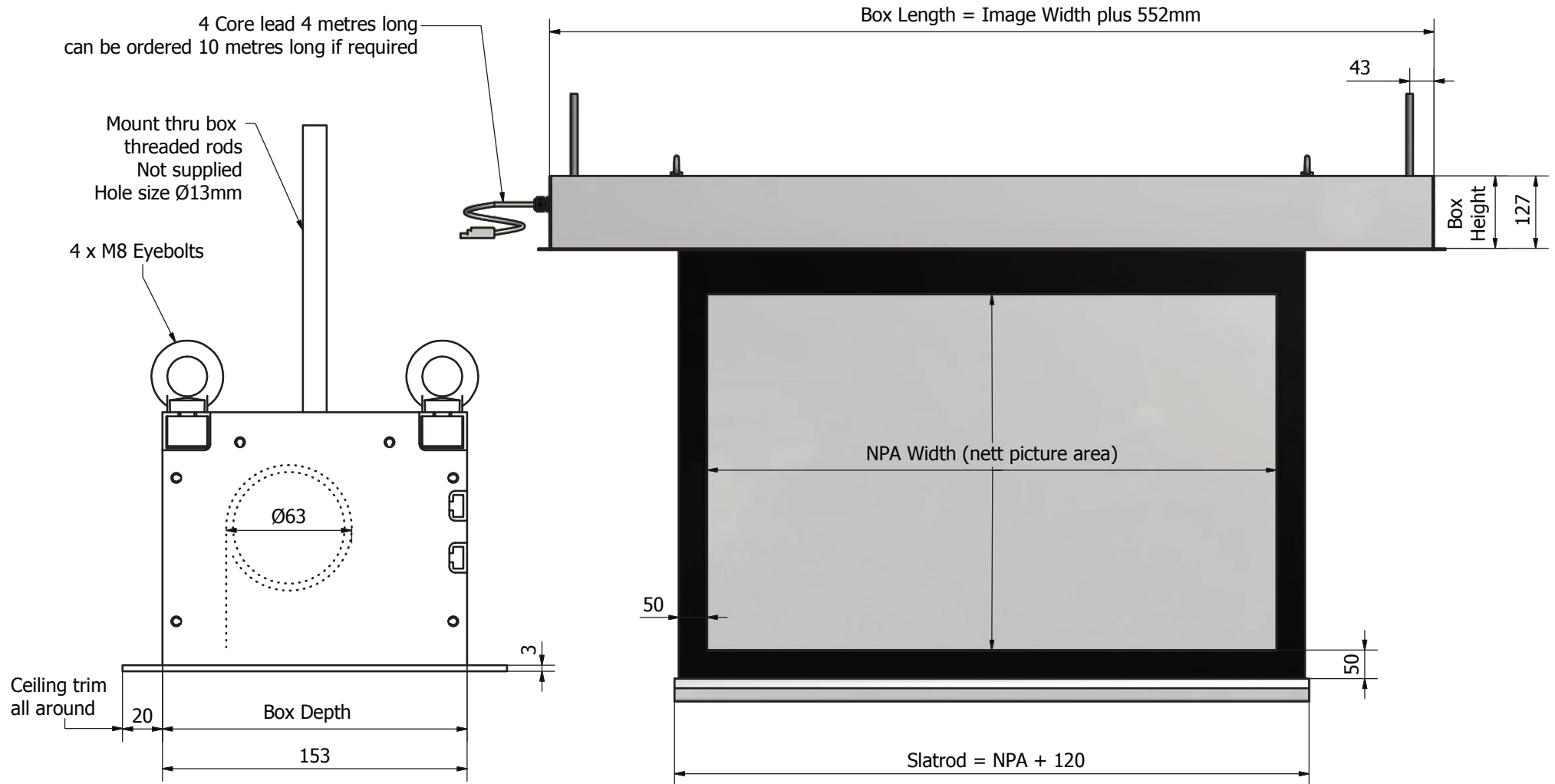
Benefits include:

- Fully integrated with IR
- 12V trigger
- Contact closure
- Option to upgrade to Connect IP control



NOTES:

- MasterFit + boxes are 160mm longer than the standard MasterFit boxes.
- This allows for mounting through its own hole using threaded rods at each end.
- Mounting straps are not used on this model.



Manufacturing tolerance +/- 5mm on in ceiling box and slatrod
All dimensions are in (mm)
Always allow for removal of screen for servicing.

The Concept, Design and Details in this drawing are the property of Screen Technics with whom the copyright resides. They may not be reproduced without written permission of Screen Technics.

Date	Part Number	Rev
09/01/2020	MFxxxxx-A+	04

Product Features

- An integrated in ceiling screen solution designed for a one-stop installation from below the ceiling line
- Boxes are supplied with 4 x M8 eyebolts. Threaded rod is not supplied
- Utilises a custom designed aluminium box for lightweight solution but still providing structural integrity
- Connect Infra red and dry contact control as standard - upgradeable to Connect IP control

ITEM NO	INCH DIAGONAL	IMAGE SIZE mm	FORMAT	BOX LENGTH mm	BOX HEIGHT mm	BOX DEPTH mm	WEIGHT Kg
MF07219-A+	72"	1100 x 1465	Video 4:3	2017	127	153	29.0
MF08419-A+	84"	1280 x 1705	Video 4:3	2257	127	153	32.0
MF09619-A+	96"	1465 x 1950	Video 4:3	2502	127	153	34.0
MF10019-A+	100"	1525 x 2035	Video 4:3	2587	127	153	35.0
MF11019-A+	110"	1675 x 2235	Video 4:3	2787	127	153	37.0
MF11519-A+	115"	1755 x 2340	Video 4:3	2892	127	153	39.0
MF07229-A+	72"	895 x 1595	HDTV 16:9	2147	127	153	30.0
MF08429-A+	84"	1045 x 1860	HDTV 16:9	2412	127	153	33.0
MF09229-A+	92"	1145 x 2035	HDTV 16:9	2587	127	153	35.0
MF09629-A+	96"	1195 x 2125	HDTV 16:9	2677	127	153	36.0
MF10029-A+	100"	1245 x 2215	HDTV 16:9	2767	127	153	37.0
MF11029-A+	110"	1370 x 2435	HDTV 16:9	2987	127	153	39.0
MF11529-A+	115"	1430 x 2545	HDTV 16:9	3097	127	153	40.0
MF07269-A+	72"	970 x 1550	16:10	2102	127	153	30.0
MF08469-A+	84"	1130 x 1810	16:10	2362	127	153	32.0
MF09269-A+	92"	1240 x 1980	16:10	2532	127	153	34.0
MF09669-A+	96"	1295 x 2070	16:10	2622	127	153	35.0
MF10069-A+	100"	1345 x 2155	16:10	2707	127	153	36.0
MF11069-A+	110"	1480 x 2370	16:10	2922	127	153	39.0
MF11569-A+	115"	1550 x 2480	16:10	3032	127	153	40.0

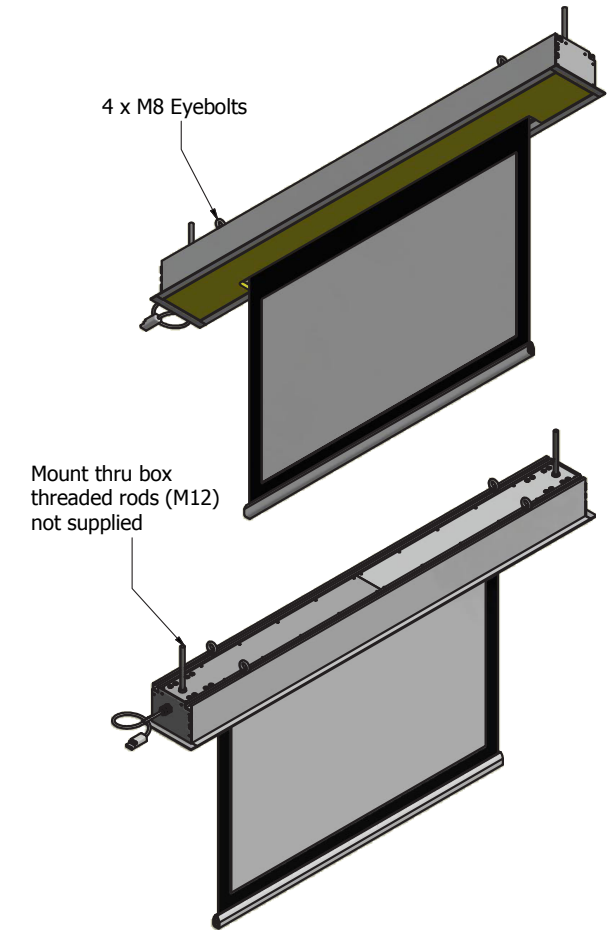
NOTES:

- MasterFit + boxes are 160mm longer than the standard MasterFit boxes.
- This allows for mounting through its own hole using threaded rods at each end.
- Mounting straps are not used on this model.

Manufacturing tolerance +/- 5mm on in ceiling box and slatrod
 All dimensions are in (mm)
 Always allow for removal of screen for servicing.

ARCHITECTS SPECIFICATION

The projection screen shall be an Australian made Screen Technics MasterFit Type A+ model_____ with Unity White Black Backed Fibreglass surface and shall be located where indicated on the plans. Installation shall be done in accordance with the manufacturer's instructions



AUSTRALIA

22-24 Suttor Road

Moss Vale NSW 2577

+61 2 4869 2100

screeentechnics.com.au • info@screeentechnics.com.au

NEW ZEALAND

44 Mahana Road

Te Rapa, Hamilton

+0800 022 821

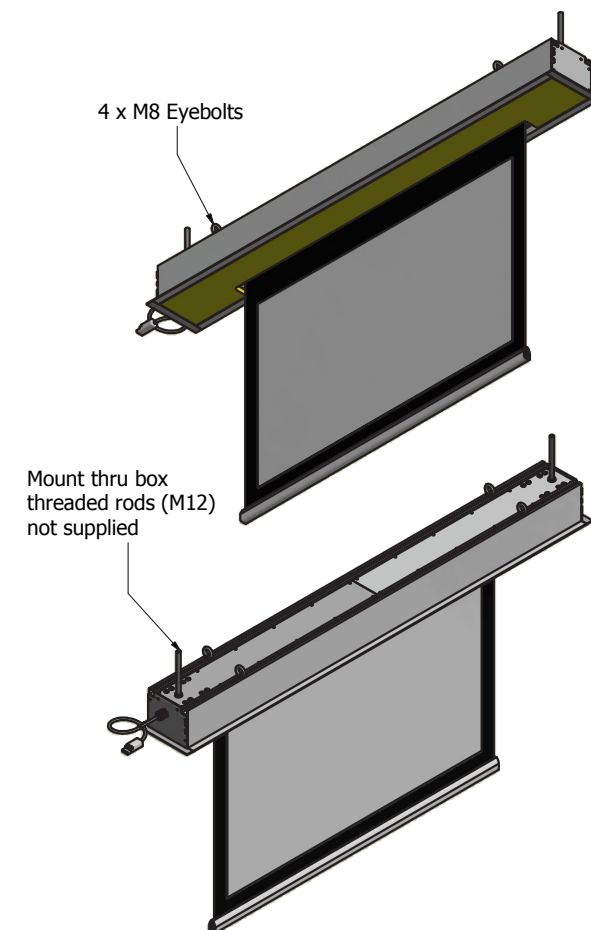
Product Features

- An integrated in ceiling screen solution designed for a one-stop installation from below the ceiling line
- Boxes are supplied with 4 x M8 eyebolts. Threaded rod is not supplied
- Utilises a custom designed aluminium box for lightweight solution but still providing structural integrity
- Connect Infra red and dry contact control as standard - upgradeable to Connect IP control

ITEM NO	INCH DIAGONAL	IMAGE SIZE mm	FORMAT	BOX LENGTH mm	BOX HEIGHT mm	BOX DEPTH mm	WEIGHT Kg
MF07218-A+	72"	1100 x 1465	Video 4:3	2017	127	153	29.0
MF08418-A+	84"	1280 x 1705	Video 4:3	2257	127	153	32.0
MF09618-A+	96"	1465 x 1950	Video 4:3	2502	127	153	34.0
MF10018-A+	100"	1525 x 2035	Video 4:3	2587	127	153	35.0
MF11018-A+	110"	1675 x 2235	Video 4:3	2787	127	153	37.0
MF11518-A+	115"	1755 x 2340	Video 4:3	2892	127	153	39.0
MF07228-A+	72"	895 x 1595	HDTV 16:9	2147	127	153	30.0
MF08428-A+	84"	1045 x 1860	HDTV 16:9	2412	127	153	33.0
MF09228-A+	92"	1145 x 2035	HDTV 16:9	2587	127	153	35.0
MF09628-A+	96"	1195 x 2125	HDTV 16:9	2677	127	153	36.0
MF10028-A+	100"	1245 x 2215	HDTV 16:9	2767	127	153	37.0
MF11028-A+	110"	1370 x 2435	HDTV 16:9	2987	127	153	39.0
MF11528-A+	115"	1430 x 2545	HDTV 16:9	3097	127	153	40.0
MF07268-A+	72"	970 x 1550	16:10	2102	127	153	30.0
MF08468-A+	84"	1130 x 1810	16:10	2362	127	153	32.0
MF09268-A+	92"	1240 x 1980	16:10	2532	127	153	34.0
MF09668-A+	96"	1295 x 2070	16:10	2622	127	153	35.0
MF10068-A+	100"	1345 x 2155	16:10	2707	127	153	36.0
MF11068-A+	110"	1480 x 2370	16:10	2922	127	153	39.0
MF11568-A+	115"	1550 x 2480	16:10	3032	127	153	40.0

ARCHITECTS SPECIFICATION

The projection screen shall be an Australian made Screen Technics MasterFit Type A+ model_____ with Hi-Contrast Grey Black Backed Fibreglass surface and shall be located where indicated on the plans. Installation shall be done in accordance with the manufacturer's instructions



Manufacturing tolerance +/- 5mm on in ceiling box and slatrod
 All dimensions are in (mm)
 Always allow for removal of screen for servicing.

NOTES:

- MasterFit + boxes are 160mm longer than the standard MasterFit boxes.
- This allows for mounting through its own hole using threaded rods at each end.
- Mounting straps are not used on this model.

AUSTRALIA

22-24 Suttor Road

Moss Vale NSW 2577

+61 2 4869 2100

screeentechnics.com.au • info@screeentechnics.com.au

NEW ZEALAND

44 Mahana Road

Te Rapa, Hamilton

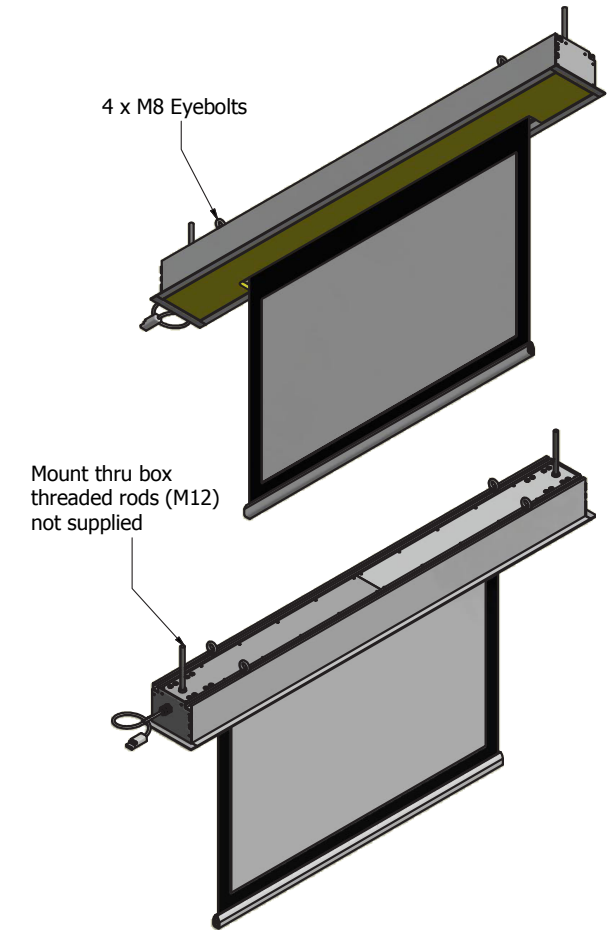
+0800 022 821

Product Features

- An integrated in ceiling screen solution designed for a one-stop installation from below the ceiling line
- Boxes are supplied with 4 x M8 eyebolts. Threaded rod is not supplied
- Utilises a custom designed aluminium box for lightweight solution but still providing structural integrity
- Connect Infra red and dry contact control as standard - upgradeable to Connect IP control

ITEM NO	INCH DIAGONAL	IMAGE SIZE mm	FORMAT	BOX LENGTH mm	BOX HEIGHT mm	BOX DEPTH mm	WEIGHT Kg
MF07212-A+	72"	1100 x 1465	Video 4:3	2017	127	153	29.0
MF08412-A+	84"	1280 x 1705	Video 4:3	2257	127	153	32.0
MF09612-A+	96"	1465 x 1950	Video 4:3	2502	127	153	34.0
MF10012-A+	100"	1525 x 2035	Video 4:3	2587	127	153	35.0
MF11012-A+	110"	1675 x 2235	Video 4:3	2787	127	153	37.0
MF11512-A+	115"	1755 x 2340	Video 4:3	2892	127	153	39.0
MF07222-A+	72"	895 x 1595	HDTV 16:9	2147	127	153	30.0
MF08422-A+	84"	1045 x 1860	HDTV 16:9	2412	127	153	33.0
MF09222-A+	92"	1145 x 2035	HDTV 16:9	2587	127	153	35.0
MF09622-A+	96"	1195 x 2125	HDTV 16:9	2677	127	153	36.0
MF10022-A+	100"	1245 x 2215	HDTV 16:9	2767	127	153	37.0
MF11022-A+	110"	1370 x 2435	HDTV 16:9	2987	127	153	39.0
MF11522-A+	115"	1430 x 2545	HDTV 16:9	3097	127	153	40.0
MF07262-A+	72"	970 x 1550	16:10	2102	127	153	30.0
MF08462-A+	84"	1130 x 1810	16:10	2362	127	153	32.0
MF09262-A+	92"	1240 x 1980	16:10	2532	127	153	34.0
MF09662-A+	96"	1295 x 2070	16:10	2622	127	153	35.0
MF10062-A+	100"	1345 x 2155	16:10	2707	127	153	36.0
MF11062-A+	110"	1480 x 2370	16:10	2922	127	153	39.0
MF11562-A+	115"	1550 x 2480	16:10	3032	127	153	40.0

ARCHITECTS SPECIFICATION
 The projection screen shall be an Australian made Screen Technics MasterFit Type A+ model_____ with Ember Grey Black Backed Fibreglass surface and shall be located where indicated on the plans. Installation shall be done in accordance with the manufacturer's instructions



Manufacturing tolerance +/- 5mm on in ceiling box and slatrod
 All dimensions are in (mm)
 Always allow for removal of screen for servicing.

NOTES:

- MasterFit + boxes are 160mm longer than the standard MasterFit boxes.
- This allows for mounting through its own hole using threaded rods at each end.
- Mounting straps are not used on this model.

AUSTRALIA

22-24 Suttor Road

Moss Vale NSW 2577

+61 2 4869 2100

screeentechnics.com.au • info@screeentechnics.com.au

NEW ZEALAND

44 Mahana Road

Te Rapa, Hamilton

+0800 022 821