



## MasterFit C(+)(Plus)

Convenient one-stop installation

SIZES 160" - 220" DIAGONAL IN TWO STYLES

An integrated in-ceiling screen solution designed for installation from below the ceiling line. Uses a custom designed aluminium box for a lightweight solution, yet still provides structural integrity.



### Market Segments:



Home  
Entertainment



Education



Government



Defense



Boardroom



Corporate

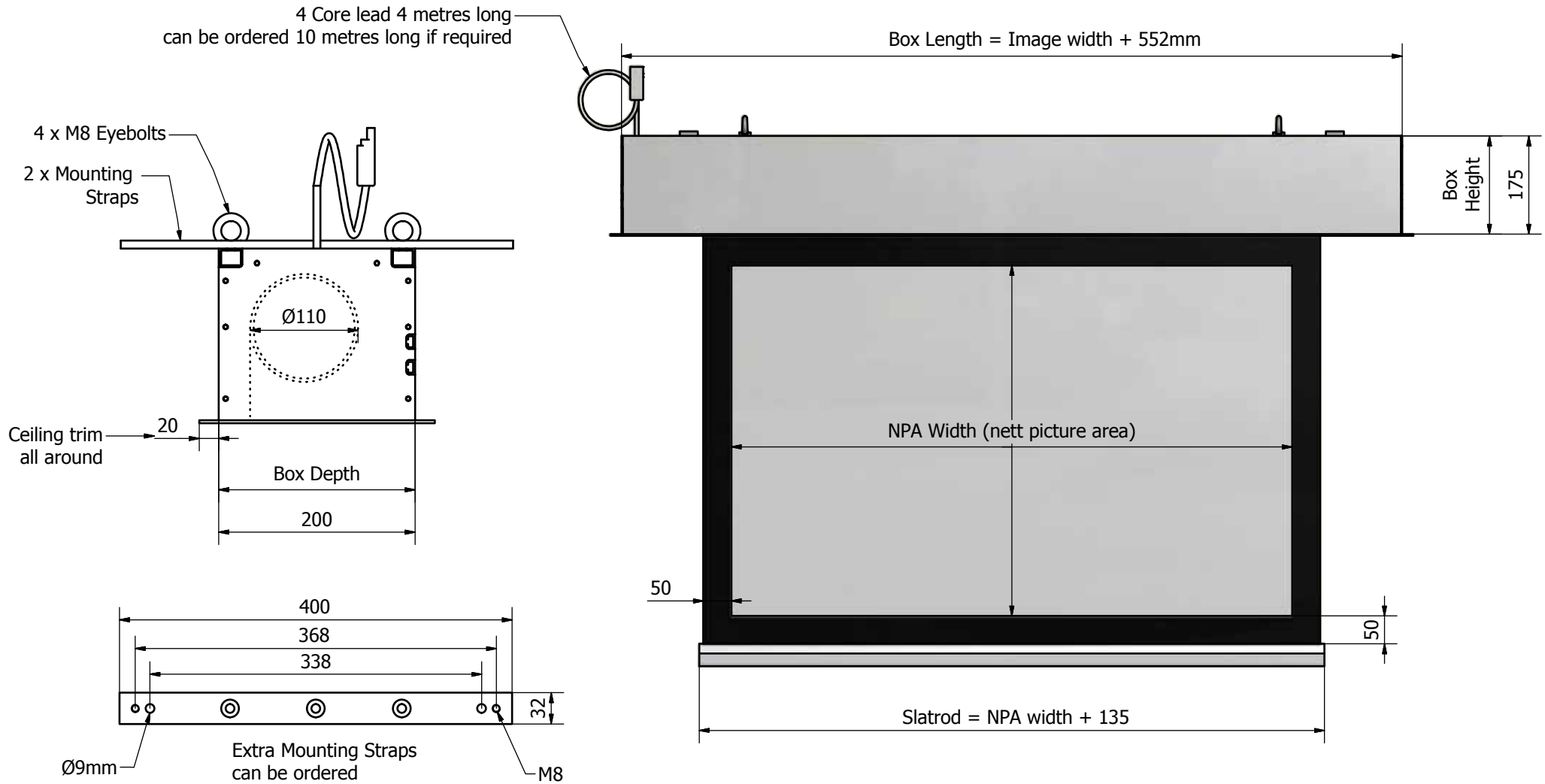
### Benefits include:

- Fully integrated with IR
- 12V trigger
- Contact closure
- Option to upgrade to Connect IP control



NOTES:

- MasterFit + boxes are 160mm longer than the standard MasterFit boxes.
- This allows for mounting through its own hole using threaded rods at each end.
- Mounting straps not used on this model.



Manufacturing tolerance +/- 5mm on in ceiling box and slatrod  
All dimensions are in (mm)  
Always allow for removal of screen for servicing.

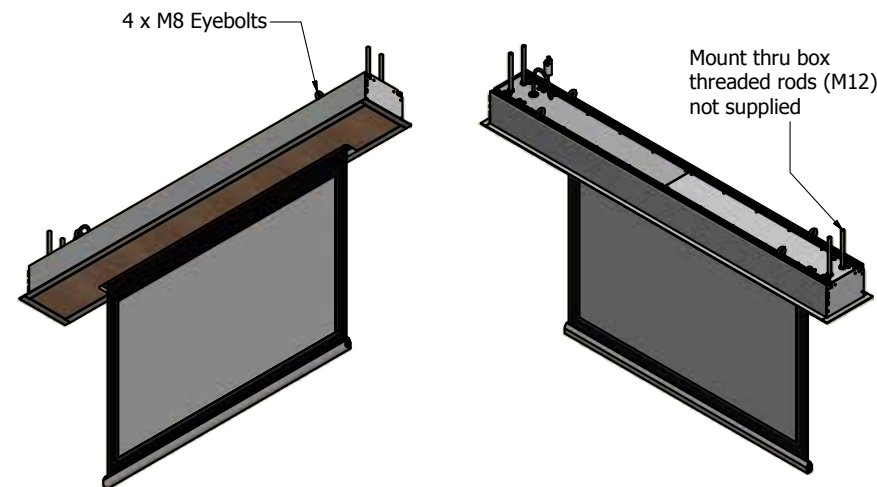
The Concept, Design and Details in this drawing are the property of Screen Technics with whom the copyright resides. They may not be reproduced without written permission of Screen Technics.

| Date       | Part Number | Rev |
|------------|-------------|-----|
| 23/05/2024 | MFxxxxx-C+  | 03  |

**Product Features**

- An integrated in ceiling screen solution designed for a one-stop installation from below the ceiling line
- Boxes are supplied with 4 x M8 eyebolts. Threaded rod is not supplied
- Utilises a custom designed aluminium box for lightweight solution but still providing structural integrity
- Connect Infra red and dry contact control as standard - upgradeable to Connect IP control

| ITEM NO    | INCH DIAGONAL | IMAGE SIZE mm | FORMAT    | BOX LENGTH mm | BOX HEIGHT mm | BOX DEPTH mm | WEIGHT kg |
|------------|---------------|---------------|-----------|---------------|---------------|--------------|-----------|
| MF16019-C+ | 160"          | 2440 x 3250   | Video 4:3 | 3802          | 175           | 200          | 68        |
| MF17019-C+ | 170"          | 2590 x 3454   | Video 4:3 | 4006          | 175           | 200          | 71        |
| MF18019-C+ | 180"          | 2745 x 3660   | Video 4:3 | 4212          | 175           | 200          | 75        |
| MF19019-C+ | 190"          | 2895 x 3860   | Video 4:3 | 4412          | 175           | 200          | 78        |
| MF20019-C+ | 200"          | 3050 x 4065   | Video 4:3 | 4617          | 175           | 200          | 81        |
| MF21019-C+ | 210"          | 3200 x 4265   | Video 4:3 | 4817          | 175           | 200          | 85        |
| MF22019-C+ | 220"          | 3355 x 4470   | Video 4:3 | 5022          | 175           | 200          | 89        |
| MF23019-C+ | 230"          | 3505 x 4675   | Video 4:3 | 5227          | 175           | 200          | 91        |
| MF16029-C+ | 160"          | 1992 x 3542   | HDTV 16:9 | 4102          | 175           | 200          | 71        |
| MF17029-C+ | 170"          | 2117 x 3763   | HDTV 16:9 | 4323          | 175           | 200          | 75        |
| MF18029-C+ | 180"          | 2241 x 3985   | HDTV 16:9 | 4545          | 175           | 200          | 78        |
| MF19029-C+ | 190"          | 2366 x 4206   | HDTV 16:9 | 4766          | 175           | 200          | 82        |
| MF20029-C+ | 200"          | 2491 x 4428   | HDTV 16:9 | 4988          | 175           | 200          | 85        |
| MF21029-C+ | 210"          | 2615 x 4649   | HDTV 16:9 | 5209          | 175           | 200          | 89        |
| MF21529-C+ | 215"          | 2675 x 4760   | HDTV 16:9 | 5430          | 175           | 200          | 93        |
| MF16069-C+ | 160"          | 2154 x 3446   | 16:10     | 4006          | 175           | 200          | 70        |
| MF17069-C+ | 170"          | 2289 x 3662   | 16:10     | 4222          | 175           | 200          | 74        |
| MF18069-C+ | 180"          | 2423 x 3877   | 16:10     | 4437          | 175           | 200          | 77        |
| MF19069-C+ | 190"          | 2558 x 4092   | 16:10     | 4652          | 175           | 200          | 81        |
| MF20069-C+ | 200"          | 2692 x 4308   | 16:10     | 4868          | 175           | 200          | 84        |
| MF21069-C+ | 210"          | 2827 x 4523   | 16:10     | 5083          | 175           | 200          | 88        |
| MF22069-C+ | 220"          | 2962 x 4739   | 16:10     | 5299          | 175           | 200          | 92        |



**ARCHITECTS SPECIFICATION**

The projection screen shall be an Australian made Screen Technics MasterFit Type C model \_\_\_\_\_ with Unity White PVC surface and shall be located where indicated on the plans. Installation shall be done in accordance with the manufacturer's instructions.

**NOTES:**

- MasterFit + boxes are 160mm longer than the standard MasterFit boxes.
- This allows for mounting through its own hole using threaded rods at each end.
- Mounting straps not used on this model.

Manufacturing tolerance +/- 5mm on in ceiling box and slaytrod  
 All dimensions are in (mm)  
 Always allow for removal of screen for servicing.

AUSTRALIA

22-24 Suttor Road

Moss Vale NSW 2577

+61 2 4869 2100

screeentechnics.com.au • info@screeentechnics.com.au

NEW ZEALAND

44 Mahana Road

Te Rapa, Hamilton

+0800 022 821