

SS560FK  
SC560FK

## Flat Panel Floor Stand/Cart for up to 65" Displays

The Floor Stand or Cart is one of the sharpest looking, most robust and functional stands ever, perfect for exhibitions, conferences or any other public venue. Under the display mount there is plenty of space to conceal content drivers and surge protectors. Its internal cable management system conceals cables and cords, delivering a clean look for any application.



Display size: up to 65"



Max load: 150lb (68.3kg)

### FEATURES

- Capable of  $-90^{\circ}$ / $-60^{\circ}$  tilt for touch screen or kiosk applications
- Media storage box below the display for a computer or media box and allows access to the devices without having to remove the display
- Universal mount adapts to screens with mounting holes up to 730 x 433mm (28.7"W x 17.05"H)
- Maneuvers safely and easily on 4" (102mm) heavy-duty swivel casters, with 2 of them locking (SC model)
- Sturdy base that can be bolted to the floor (SS model)
- ADA compliant



■ **PERFECT VIEWING**  
Tilted display for touch screen or kiosk applications

■ **MEDIA STORAGE**  
Accommodates content drivers up to 3.42" x 12.00" x 11.31" (86 x 304 x 287mm)

■ **CABLE MANAGEMENT**  
Internal cable management for a clean, clutter free look

SC560FK



SS560FK



RoHS

MADE IN USA

## Model Numbers

**WARRANTY:** Limited 5-year

<b>SS560FK</b>	Flat Panel Floor Stand for up to 65" Displays
<b>SC560FK</b>	Flat Panel Floor Cart for up to 65" Displays

## Product Specifications

	DIMENSIONS (W x H x D)	PRODUCT WEIGHT	LOAD CAPACITY	FINISH	AVAILABLE COLORS
<b>SS560FK</b>	33.50" x 45.46" x 26.50" (851 x 1155 x 673mm)	84.8lb (38.5kg)	150.0lb (68.3kg)	Powder coat	Black
<b>SC560FK</b>	32.55" x 41.43" x 27.42" (827 x 1052 x 697mm)	73.0lb (33.1kg)			

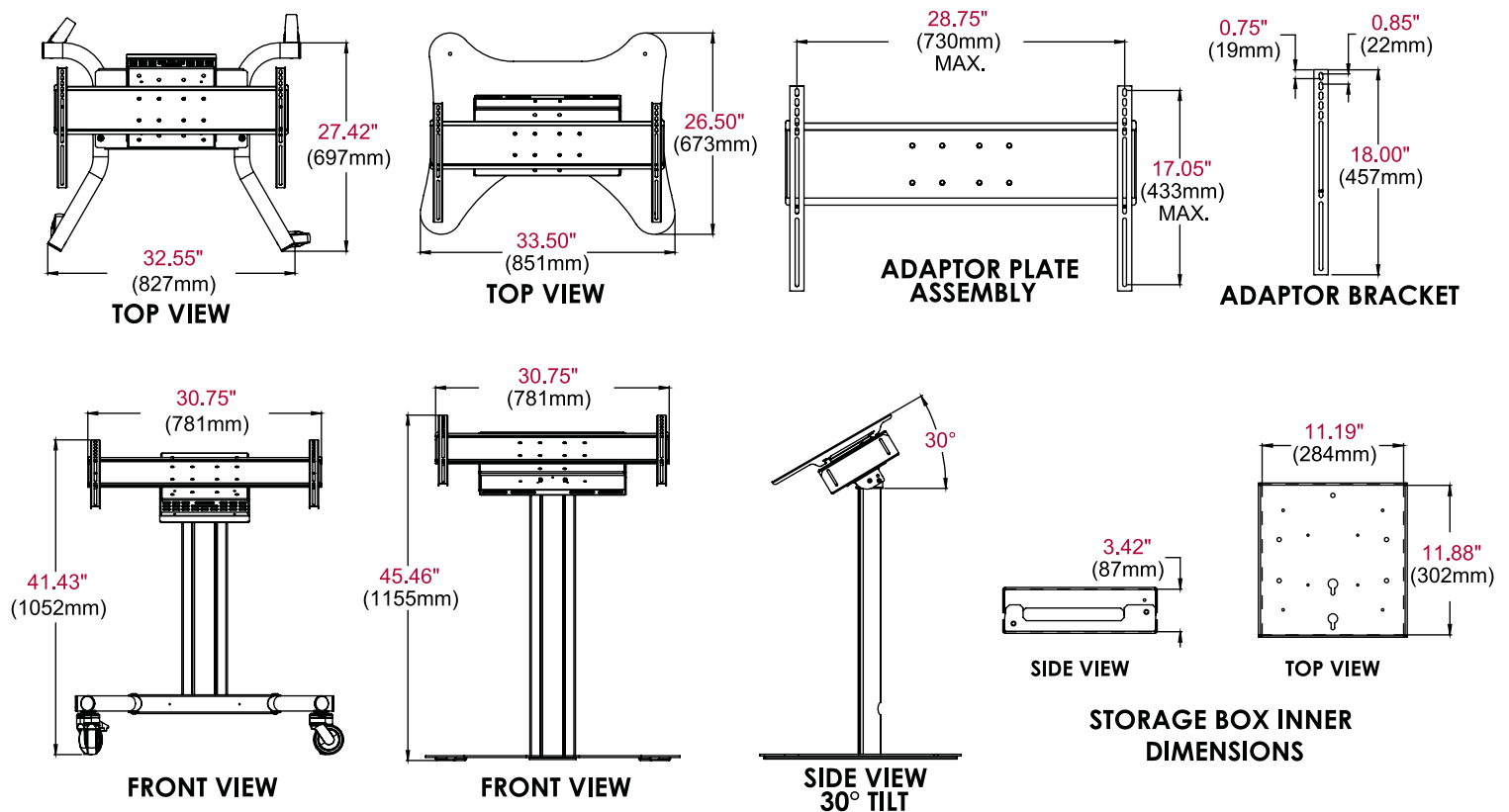
## Package Specifications

	PACKAGE SIZE (W x H x D)	PACKAGE SHIP WEIGHT	PACKAGE UPC CODE	PACKAGE CONTENTS	UNITS IN PACKAGE
<b>SS560FK</b>	30.50" x 9.50" x 32.25" (774 x 241 x 819mm)	104.5lb (47.4kg)	735029280736	Stand, universal adaptor plate, component storage, mounting hardware	1
<b>SC560FK</b>	19.25" x 7.75" x 57.75" (488 x 196 x 1466mm)	75lb (34kg)	735029281986		

## Accessories

<b>ACC313:</b>	Metal Shelf
<b>ACC318:</b>	Tempered Glass Shelf

All dimensions = inch (mm)



## ARCHITECTS SPECIFICATIONS

The Floor Stand/Card shall be a Peerless-AV model SS560FK/SC560FK and shall be installed where indicated on the plans. It shall be constructed of heavy gauge cold rolled steel. Assembly and installation shall be done according to instructions provided by the manufacturer.

Peerless Industries, Inc. ■ 2300 White Oak Circle ■ Aurora, IL 60502 ■ (800) 865-2112 ■ (630) 375-5100 ■ Fax: (800) 359-6500 ■ [peerless-av.com](http://peerless-av.com)

Visit [peerless-av.com](http://peerless-av.com) to see the complete line of AV solutions from Peerless-AV, including flat panel mounts, projector mounts, carts/stands, furniture, cables, screen cleaners and a full assortment of accessories.