

SR560M



Mounting Pattern
200 x 200 up to
600 x 400mm

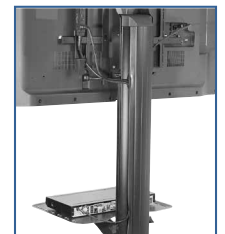
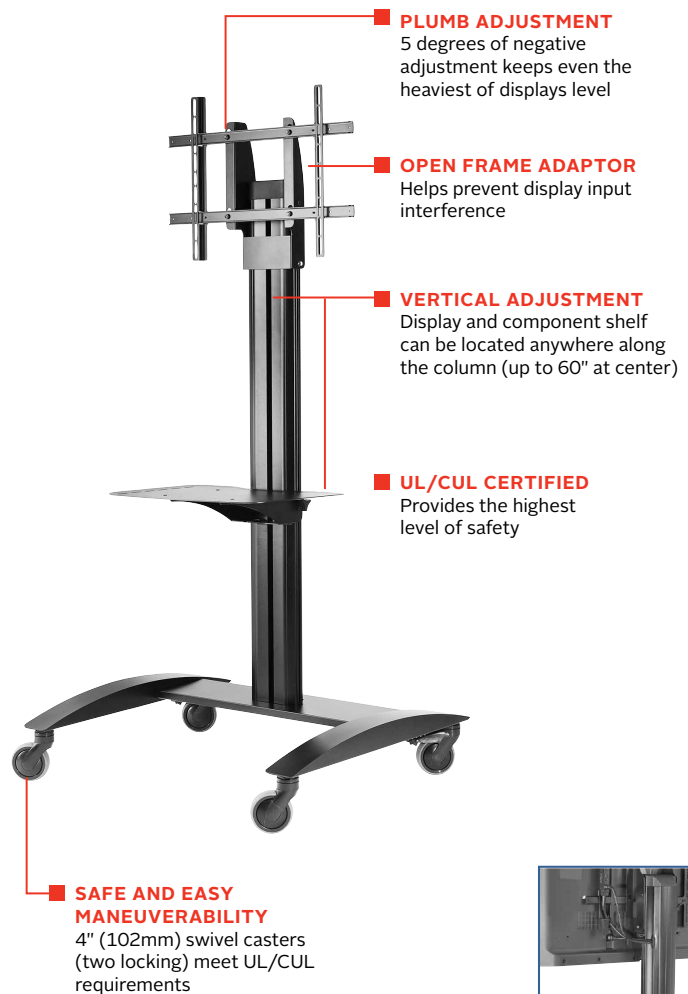


Max Load
150lb (68.2kg) display
10lb (4.55kg) per shelf

SMARTMOUNT[®] Flat Panel Cart FOR 32" TO 75" DISPLAYS

The SR560M SmartMount[®] Flat Panel Cart has been redesigned to include all of the features you may need, making it perfect for any application. Mobility, appealing design, display height adjustment and a pre-assembled base ensure quick assembly, while providing a rigid, but attractive structure that fits into any décor. The 4" castors make it easy to move from room to room, while the UL[®] certification ensures that it can be done safely.

- Integrated cable management protects, contains and conceals cables for a clean, professional installation
- Pre-assembled base provides rigidity, stability and quick assembly
- Textured black powder coat finish helps hide finger prints and dust
- Universal display adaptor fits mounting patterns from 200 x 200mm to 600 x 400mm and allows mounting in landscape or portrait orientation
- Cart includes (4) plastic base pads for instances when casters are not needed



Cable management allows cables to enter or exit anywhere along the column.



✉ info@peerless-av.com
🌐 peerless-av.com

peerless-AV[®]
Driving Technology Through Innovation

SR560M	SmartMount® Flat Panel Cart for 32" to 75" Displays
--------	---

Product Specifications

	DIMENSIONS (W X H X D)	PRODUCT WEIGHT	LOAD CAPACITY	FINISH	AVAILABLE COLORS
SR560M	34.95" x 68.38" x 29.00" (888 x 1736 x 737mm)	66lb (30kg)	150lb (68.2kg) display 10lb (4.55kg) per shelf	Textured Powder Coat	Black

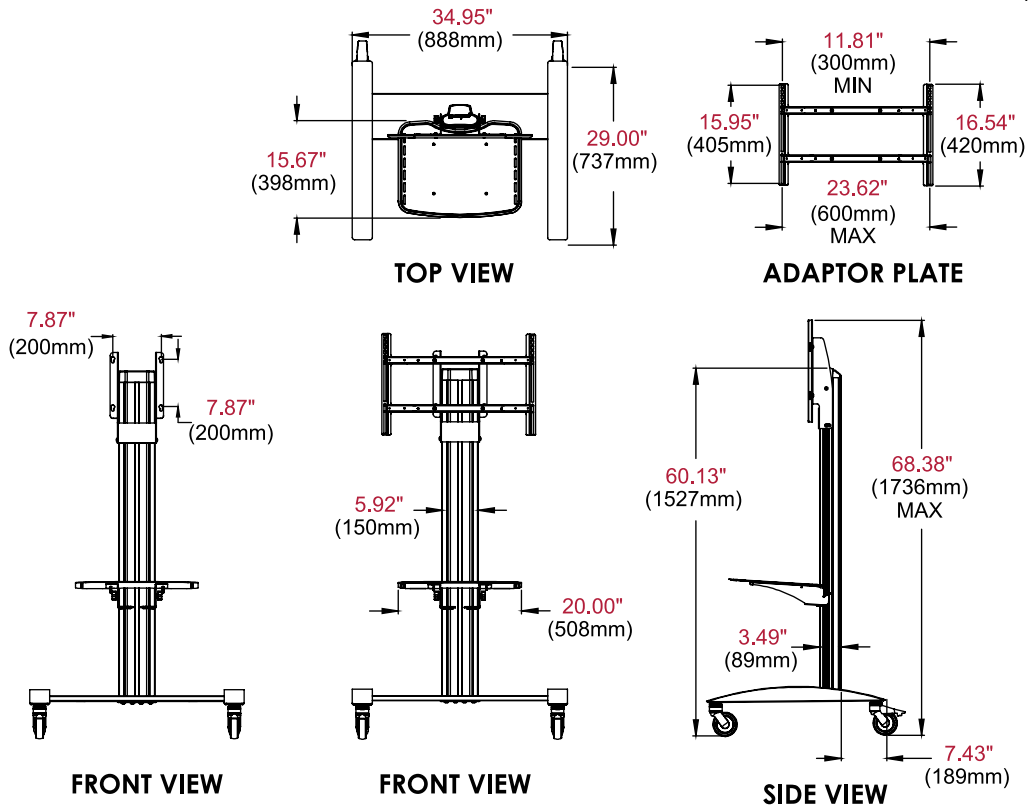
Package Specifications

	PACKAGE SIZE (W x H x D)	PACKAGE SHIP WEIGHT	PACKAGE UPC CODE	PACKAGE CONTENTS	UNITS IN PACKAGE
SR560M	47.50" x 7.25" x 38.50" (1207 x 184 x 978mm)	79lb (35.9kg)	735029247715	Assembled Base, Aluminum Column, Universal Display Adaptor, Metal Component Shelf, (2) Swivel Casters, (2) Locking Swivel Casters, (4) Plastic Base Pads, Hardware & Instructions	1

Accessories

- | | |
|--|---|
| <p>ACC310: Leveling Feet Accessory
 ACC316: Safety Belt
 ACC320: Electrical Outlet Strip with Cord Wrap
 ACC-BPR: Bumper Accessory for Legs
 ACC-LA: Laptop Arm
 ACC-MS: Metal Shelf
 ACC-UCM: Universal AV Component Mount</p> | <p>ACC-V900X: 600, 800 and 900mm VESA® Adaptor
 ACC-VCS: Video Conferencing Camera Shelf
 DSX750: Media Player Storage
 MIS995: 800mm VESA® Adaptor
 MOD-UNL2: Large Universal Adaptor
 RMI2C: Rotational Mount Interface</p> |
|--|---|

All dimensions = inch (mm)



Architect Specifications

The SmartMount® Flat Panel Cart shall be a Peerless-AV model SR560M(-AB)(-AW) and shall be located where indicated on the plans. Assembly and installation shall be done according to instructions provided by the manufacturer.

Visit peerless-av.com to see the complete line of AV solutions from Peerless-AV, including outdoor displays, wireless, kiosks, digital audio, display mounts, projector mounts, carts/stands, and a full assortment of accessories.

Peerless-AV
 2300 White Oak Circle
 Aurora, IL 60502 USA
(800) 865-2112
(630) 375-5100
Fax: (800) 359-6500

Peerless-AV EMEA
 Unit 3 Watford Interchange
 Colonial Way, Watford
 Herts, WD24 4WP
 United Kingdom
+44 (0) 1923 200100
Fax: +44 (0) 1923 200101

Peerless-AV Latin America
 Ave de las Industrias 413
 Parque Industrial Escobedo
 Escobedo, N.L.,
 Mexico 66062
+52 (81) 8384-8300
Fax: +52 (81) 8384-8360

