

SUA751PU

# Ultra Slim Articulating Wall Arm

For 37" to 55" Ultra-thin Displays\*

This slim articulating mount transforms the viewing experience from ordinary to extraordinary. Ultra-thin displays give the room a contemporary look, but only when married to an ultra-slim mount that allows the maintenance of the ultra-thin aesthetic and still position the display at the best viewing angle. Brilliant in its simplicity and ease of installation, the mount's functionality is optimized through its remarkable arm extension and swiveling hinge. Now you can create the perfect viewing angle and truly achieve the ultra-thin experience at the same time.



## FEATURES

- Universal mount fits displays with mounting hole patterns up to 825 x 439mm (32.48" x 17.27") and VESA® 200 x 100, 200 x 200, 400 x 200, 400 x 400 and 800 x 400mm compliant
- Arm retracts to only 1.35" (34mm) and extends up to 24.26" (616mm) from the wall
- +15/-5° of One-Touch™ tilt allows for ideal viewing angles without the use of tools
- Up to ±90° of side-to-side swivel
- ±5° of roll offers a simple way to horizontally level the display post-installation
- Double stud wall plate allows for perfect mount placement

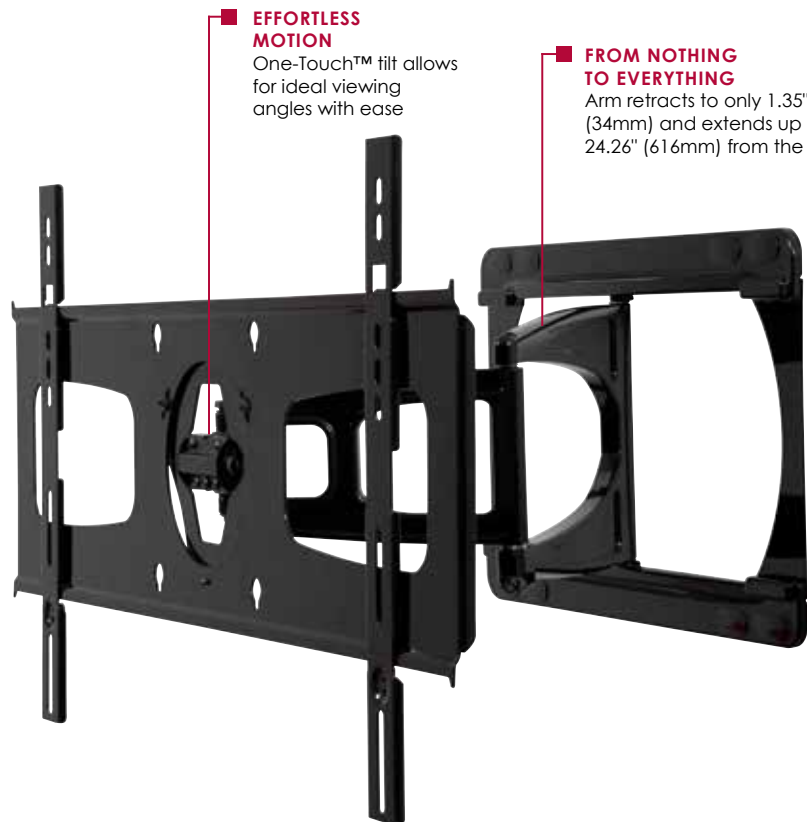
\* Designed exclusively for use with ultra-thin displays 2" (51mm) deep or less



Display size: 37"-55"



Max load: 100lb (45kg)



### EFFORTLESS MOTION

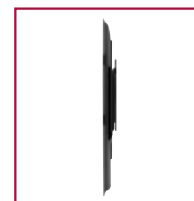
One-Touch™ tilt allows for ideal viewing angles with ease

### FROM NOTHING TO EVERYTHING

Arm retracts to only 1.35" (34mm) and extends up to 24.26" (616mm) from the wall



Fully extended



Flat against the wall



Improved tilt hinge



RoHS

MADE IN USA

CLICK: [peerless-av.com](http://peerless-av.com)

CALL: 800.865.2112

FAX: 800.359.6500

peerless-AV®

**SUA751PU:** Ultra Slim Articulating Wall Arm for 37" to 55" Ultra-thin Displays

**Product Specifications**

	<b>DIMENSIONS (W x H x D)</b>	<b>PRODUCT WEIGHT</b>	<b>LOAD CAPACITY</b>	<b>FINISH</b>	<b>AVAILABLE COLORS</b>
<b>SUA751PU</b>	35.21" x 19.00" x 1.35"-24.26" (894 x 483 x 34-616mm)	21.5lb (9.75kg)	100lb (45kg)	Gloss	Black

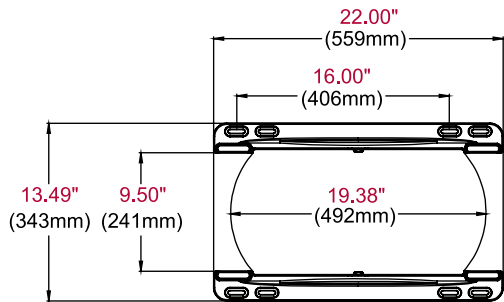
**Package Specifications**

	<b>PACKAGE SIZE (W x H x D)</b>	<b>PACKAGE SHIP WEIGHT</b>	<b>PACKAGE UPC CODE</b>	<b>PACKAGE CONTENTS</b>	<b>UNITS IN PACKAGE</b>
<b>SUA751PU</b>	17.75" x 2.25" x 36.38" (451 x 57 x 924mm)	25lb (11.34kg)	735029282082	Mount, attachment hardware for display and wall, instructions	1

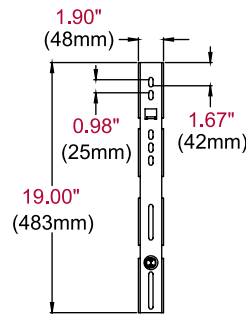
**Accessories**

- ACC925:** Security Fasteners
- ACC-SB:** Soundbar/Center Channel Accessory Mount

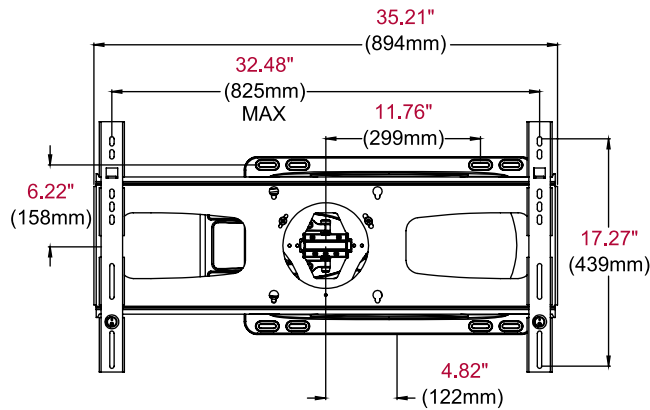
All dimensions = inch (mm)



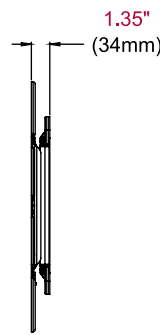
**WALL PLATE**



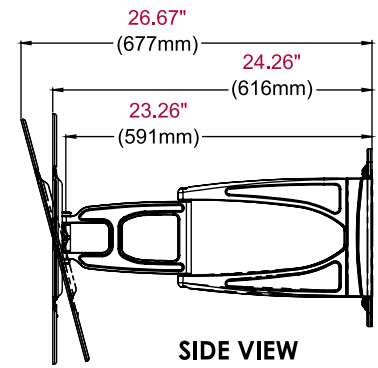
**VERTICAL ADAPTOR**



**FRONT VIEW**



**SIDE VIEW**



**SIDE VIEW EXTENDED +15°/-5° TILT**

**ARCHITECTS SPECIFICATIONS**

The Ultra Slim Articulating Wall Arm shall be a Peerless-AV SUA751PU and shall be located where indicated on the plans. It shall feature scratch resistant black fused epoxy finish. Assembly and installation shall be done according to instructions provided by the manufacturer.

Peerless Industries, Inc. ■ 2300 White Oak Circle ■ Aurora, IL 60502 ■ (800) 865-2112 ■ (630) 375-5100 ■ Fax: (800) 359-6500 ■ [peerless-av.com](http://peerless-av.com)

Visit [peerless-av.com](http://peerless-av.com) to see the complete line of AV solutions from Peerless-AV, including flat panel mounts, projector mounts, carts/stands, furniture, cables, display cleaners and a full assortment of accessories.