

XHB432



43" Xtreme™ High Bright Outdoor Display

There has never been an outdoor daylight readable display built to withstand the harsh outdoor elements like the Peerless-AV® Xtreme™ High Bright. Featuring a fully sealed, IP68 Rated design and a patented Dynamic Thermal Transfer™ System, Xtreme High Bright Outdoor Displays are maintenance-free, with no fans, vents or filters, and are fully protected against water, dust, moisture and even insects. The display's cover glass is optically bonded, which increases the perceived contrast ratio and cuts down on glare, providing amazing picture quality even in direct sunlight. With an operating temperature range of -31°F to 140°F, Xtreme Displays are designed to thrive year-round outside, without worry of extreme hot or cold temperature waves. This High Bright line of commercial displays offer 2500nits of light output to combat high ambient lighting conditions, while the ambient light sensor automatically adjusts the display's brightness to optimize the power consumption and enhance the viewing experience. Providing unmatched capabilities, Xtreme High Bright Outdoor Displays are the perfect digital signage or entertainment solution for any professional application.



All Weather Rated (IP68)



Operating Temperature Range:
-31°F - 140°F

- Optically bonded, anti-reflective cover glass increases the perceived contrast ratio and cuts down on glare, providing amazing picture quality, even in direct sunlight
- Daylight readable with LED backlight and full HD 1080p resolution for a bright, crisp picture
- Includes Quarter Wave Plate polarizer, allowing for portrait and landscape installations
- IPS panel provides color accuracy, even at the harshest of angles
- Remote and Local monitoring, supported via IP addressable user interface, for temperature, humidity, and power draw diagnostics of the display
- Waterproof Xtreme™ Outdoor Soundbar delivers highest quality sound (optional accessory)

■ AMBIENT LIGHT SENSOR

Automatically adjusts brightness to best match the lighting conditions, which optimizes the display's power consumption and enhances the viewing experience (optional ALS extender accessory available)

■ HIGH BRIGHT OUTPUT

Offers 2500nits of light output to combat high ambient lighting conditions



■ FULLY-SEALED DESIGN

Highest environmental rating (IP68) prevents the ingress of foreign materials, such as water, dust, moisture and insects, from entering the display

■ IK10 RATED, IMPACT RESISTANT, TEMPERED COVER GLASS

Protects the screen against vandalism and debris



■ PATENTED DYNAMIC THERMAL TRANSFER™ SYSTEM

Keeps internal components properly cooled in extreme heat



RoHS 2002/95/EC **FC CE IP**

info@peerless-av.com

peerless-av.com

peerless-AV®
Driving Technology Through Innovation

XHB432 43" Xtreme™ High Bright Outdoor Display

LCD Display

ACTIVE SCREEN SIZE	42.51" (1080mm) Diagonal
PIXEL PITCH	.4902 x .4902mm
ASPECT RATIO	16:9
RESOLUTION	1920 x 1080
COLOR DEPTH	8Bit (16.7 Million Colors)
BRIGHTNESS	2,500cd/m²
BACKLIGHT ADJUSTMENT	Automatic (Ambient Light Sensor)
CONTRAST RATIO	1300:1
VIEWING ANGLE	178° Vertical/Horizontal
RESPONSE TIME	12ms (Gray to Gray)
REFRESH RATE	60Hz
OPERATING TIME	24/7

Environmental

OPERATING TEMPERATURE	-31°F - 140°F (-35°C - 60°C)
IP RATING	IP68
SAFETY/EMC	FCC Class A

Power

AC INPUT	100 VAC to 240 VAC, 50 to 60 Hz
POWER CONSUMPTION	293W

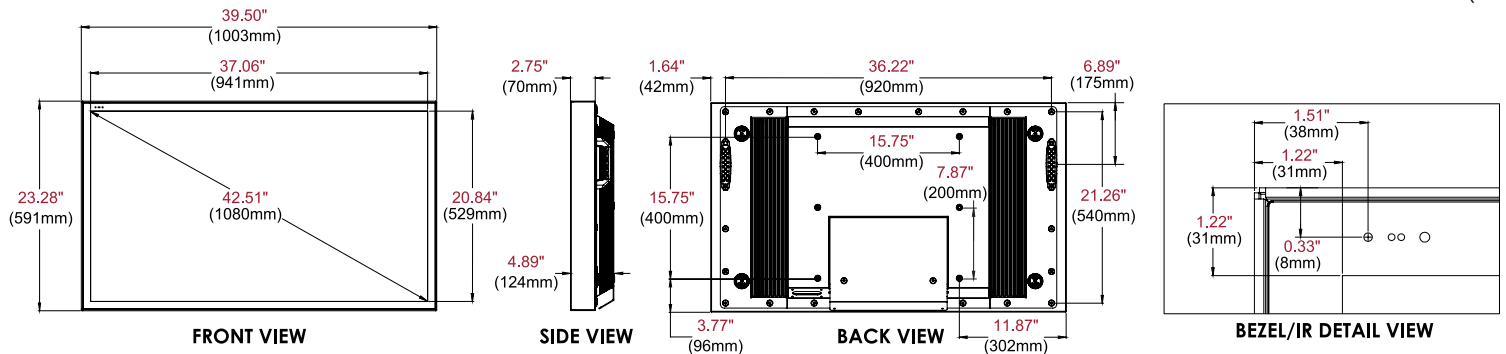
Package Specifications

	PACKAGE SIZE (W x H x D)	PACKAGE SHIP WEIGHT	PACKAGE UPC CODE	PACKAGE CONTENTS	PALLET SIZE (W X D)	UNITS IN PACKAGE
XHB432	45.5" x 28.25" x 10.63" (1156 x 718 x 270mm)	96lb (43.5kg)	735029322542	Display, Waterproof Universal Remote Control, User's Guide, Hex Wrench, Power Cord, IR Extender	45" x 55" (5x per pallet)	1

Accessories

- EDS-VW765-LAND:** SmartMount® Outdoor Full Service Video Wall Mount, Landscape
- EPA762PU:** Outdoor Articulating Wall Mount
- EPT650(-S):** Outdoor Universal Tilt Wall Mount
- ESA763PU:** Outdoor Articulating Wall Mount
- ESF655P:** Outdoor Universal Flat Wall Mount, Portrait
- ECMU:** Wind Rated Ceiling Mount
- EPMU:** Wind Rated Pedestal Mount
- EWMU:** Wind Rated Wall Mount
- ACCD-05K:** 5 Volt Accessory Kit
- ACCD-12K:** 12 Volt Accessory Kit
- ACCD-ALG:** Analog Accessory Kit
- ACCD-ALS:** Ambient Light Sensor Extender
- IRTO43-200:** Xtreme™ Outdoor IR Touch Overlay
- SPK-080:** Xtreme™ Outdoor Soundbar

All dimensions = inch (mm)



Architect Specifications

The Xtreme™ High Bright Outdoor Display shall be a Peerless-AV model XHB432 and shall be located where indicated on the plans. Assembly and installation shall be done according to instructions provided by the manufacturer.

Visit peerless-av.com to see the complete line of AV solutions from Peerless-AV, including outdoor displays, wireless, kiosks, digital audio, display mounts, projector mounts, carts/stands, and a full assortment of accessories.

Peerless-AV
2300 White Oak Circle
Aurora, IL 60502 USA
(800) 865-2112
(630) 375-5100
Fax: (800) 359-6500

Peerless-AV EMEA
Unit 3 Watford Interchange
Colonial Way, Watford
Herts, WD24 4WP
United Kingdom
+44 (0) 1923 200100
Fax: +44 (0) 1923 200101

Peerless-AV Latin America
Ave de las Industrias 413
Parque Industrial Escobedo
Escobedo, N.L.,
Mexico 66062
+52 (81) 8384-8300
Fax: +52 (81) 8384-8360

