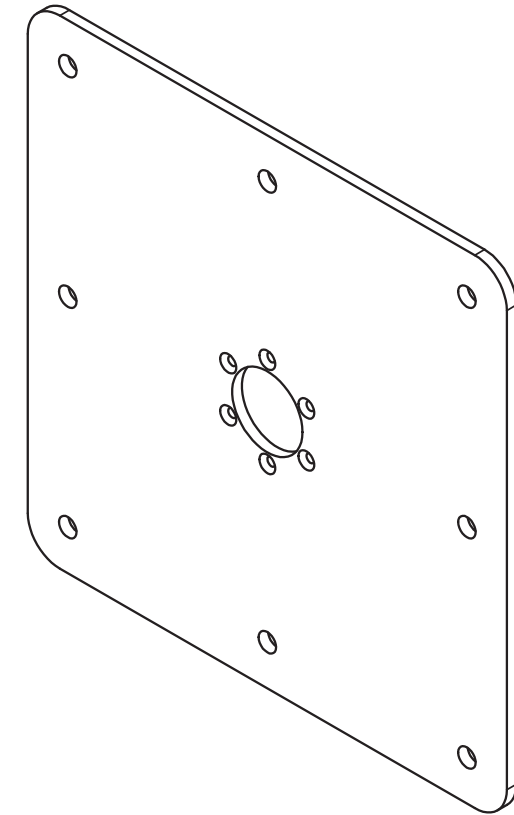
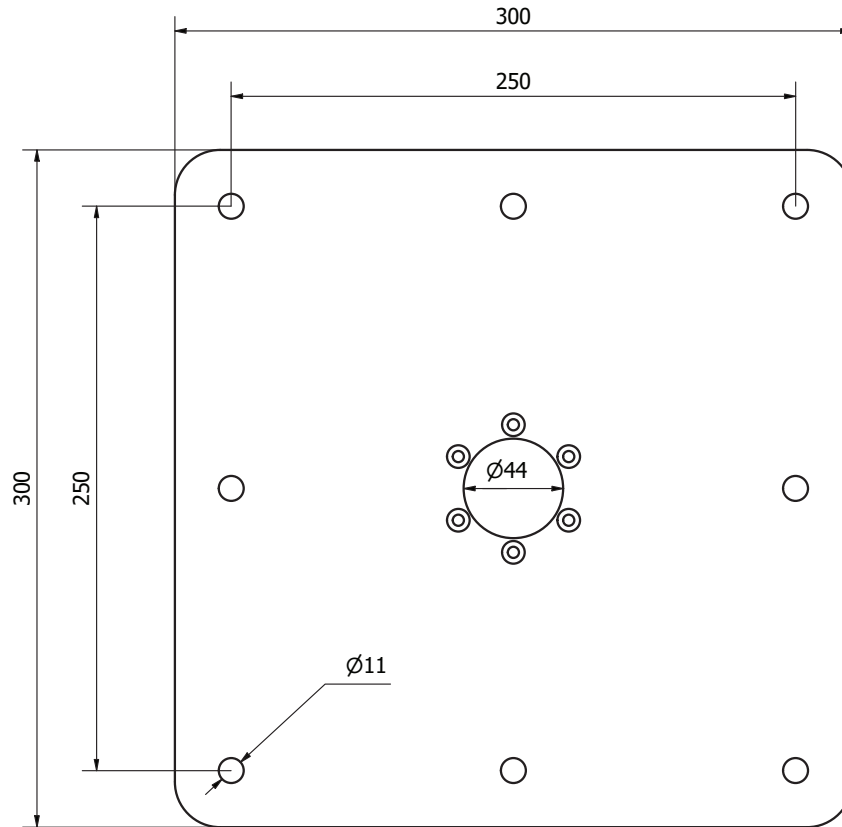


NOTES:

- Optional Base Plate to suit Interfit Projector Bracket range
- Plate is 300mm square
- Thickness is 6mm
- Black - 1425006B
- White - 1425006W



Manufacturing tolerance +/- 5mm
All dimensions are in (mm)
If installed in ceiling always allow for removal for servicing.

The Concept, Design and Details in this drawing are the property of Screen Technics with whom the copyright resides. They may not be reproduced without written permission of Screen Technics.

| Date | Part Number | Rev |
|------------|-------------|-----|
| 16/07/2019 | 14250006 | 02 |

AUSTRALIA

22-24 Suttor Road
Moss Vale NSW 2577
+61 2 4869 2100

screeentechnics.com.au • info@screeentechnics.com.au

NEW ZEALAND

44 Mahana Road
Te Rapa, Hamilton
+0800 022 821