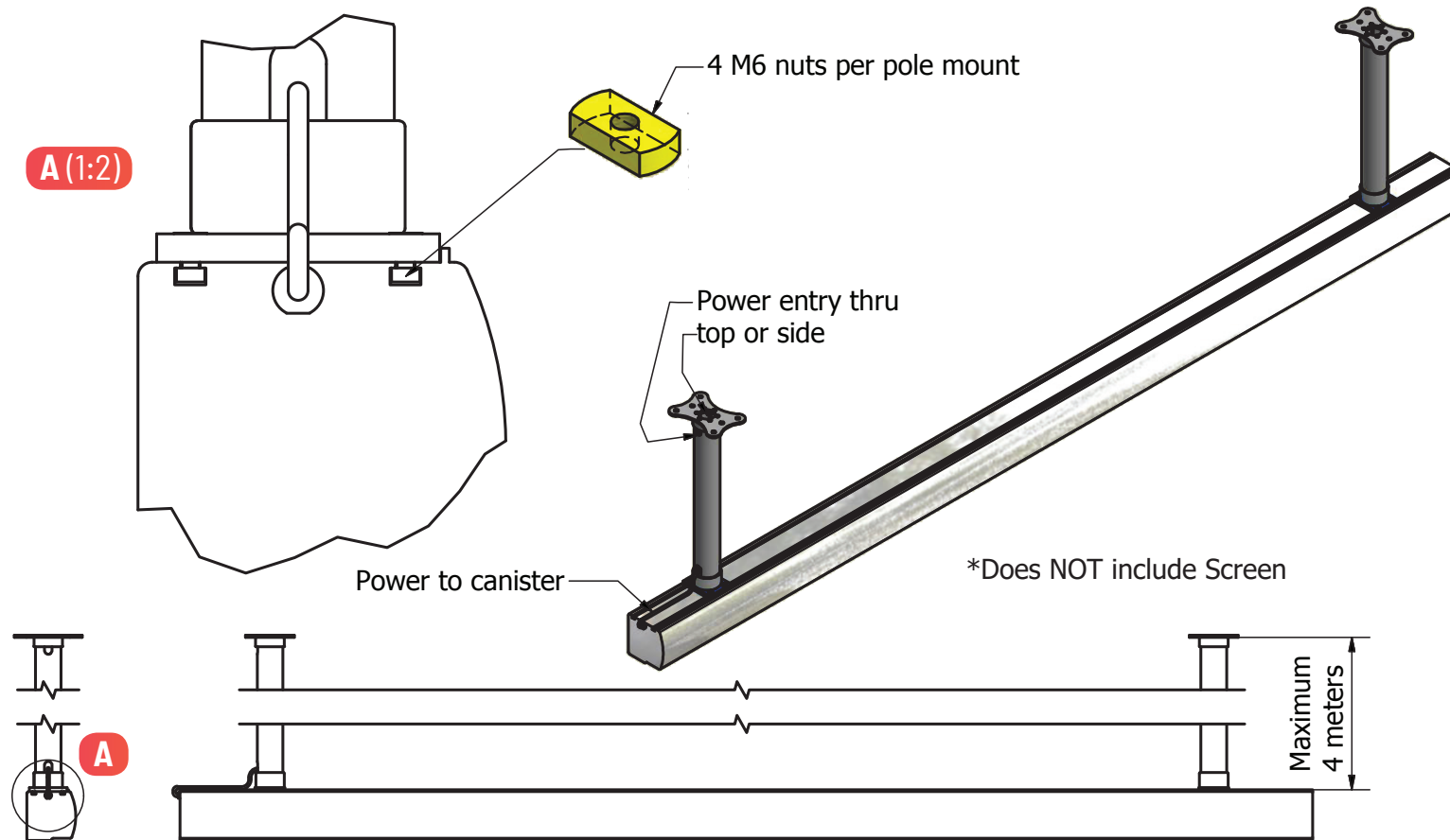


To suit ElectriCinema Type B Screens



**ARCHITECTS SPECIFICATION**

The pole mount system shall be an Australian made Screen Technics product model\_\_\_\_\_and shall be located where indicated on the plans.

Installation shall be done in accordance with the manufacturer's instructions

MODEL NUMBER	TOTAL HEIGHT	MAXIMUM LOAD
EPM0500W	500mm	65kg
EPM1000W	1000mm	65kg
EPM1500W	1500mm	65kg
EPM2000W	2000mm	65kg
EPM2500W	2500mm	65kg
EPM3000W	3000mm	65kg
EPM3500W	3500mm	65kg
EPM4000W	4000mm	65kg

**NOTES:**

- Available up to 4000mm (pole length)
- Poles can be no more than 600mm from the ends
- Eliminates the need for longer leaders
- NOT suitable for use with ViewMaster screens

Manufacturing tolerance +/- 5mm

All dimensions are in (mm)

When installed allow for removal for servicing.

The Concept, Design and Details in this drawing are the property of Screen Technics with whom the copyright resides. They may not be reproduced without written permission of Screen Technics.

Date	Rev
16/07/2019	2

AUSTRALIA

22-24 Suttor Road  
Moss Vale NSW 2577  
+61 2 4869 2100

screeentechnics.com.au • info@screeentechnics.com.au

NEW ZEALAND

44 Mahana Road  
Te Rapa, Hamilton  
+0800 022 821