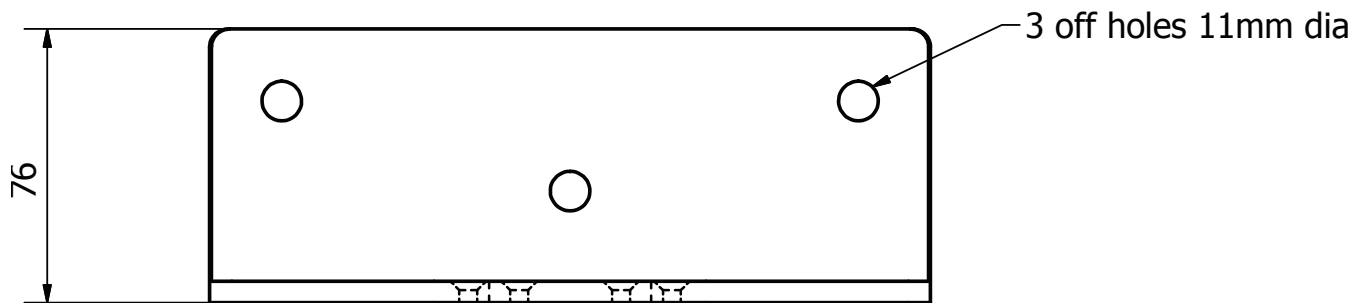
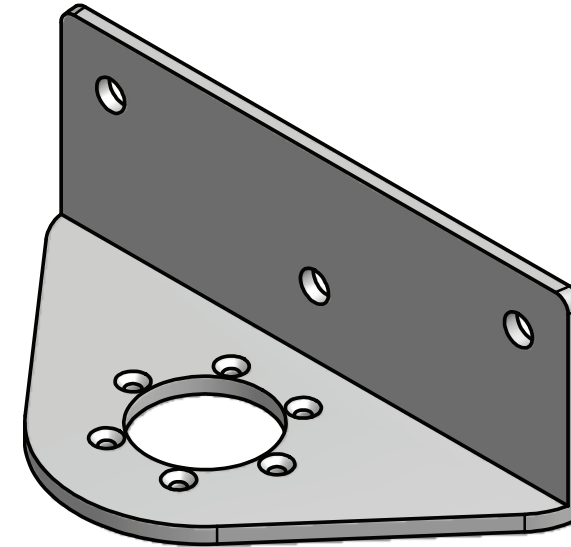
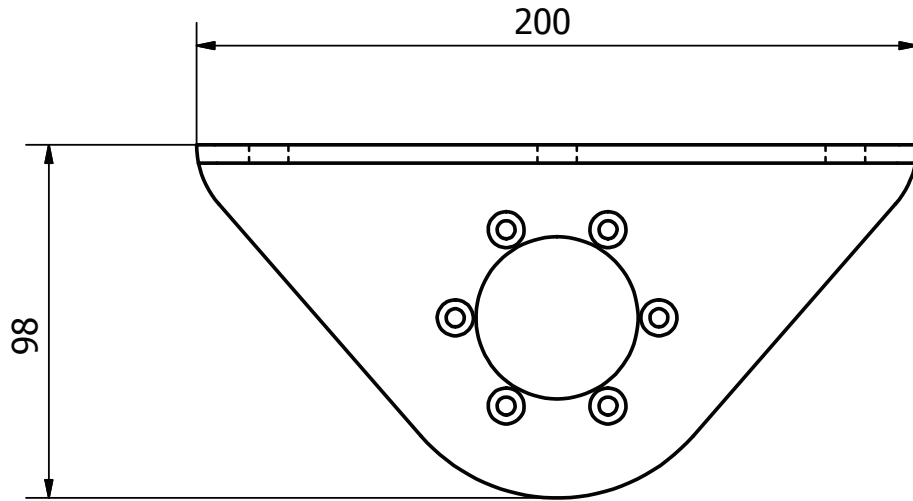


NOTES:

- Designed to allow our range of Interfit Projector Brackets to be mounted to a vertical plane
- Black - 1425000B
- White - 1425000W



Manufacturing tolerance +/- 5mm
 All dimensions are in (mm)
 If installed in ceiling always allow for removal for servicing.



AUSTRALIA

22-24 Suttor Road
 Moss Vale NSW 2577
 +61 2 4869 2100

NEW ZEALAND

44 Mahana Road
 Te Rapa, Hamilton
 +0800 022 821

The Concept, Design and Details in this drawing are the property of Screen Technics with whom the copyright resides. They may not be reproduced without written permission of Screen Technics.

Date	Part Number	Rev
16/07/2019	1425000	02

screeentechnics.com.au • info@screeentechnics.com.au